

elegance

creativity

emotion

luxury

bespoke

handmade

sculptural

heritage

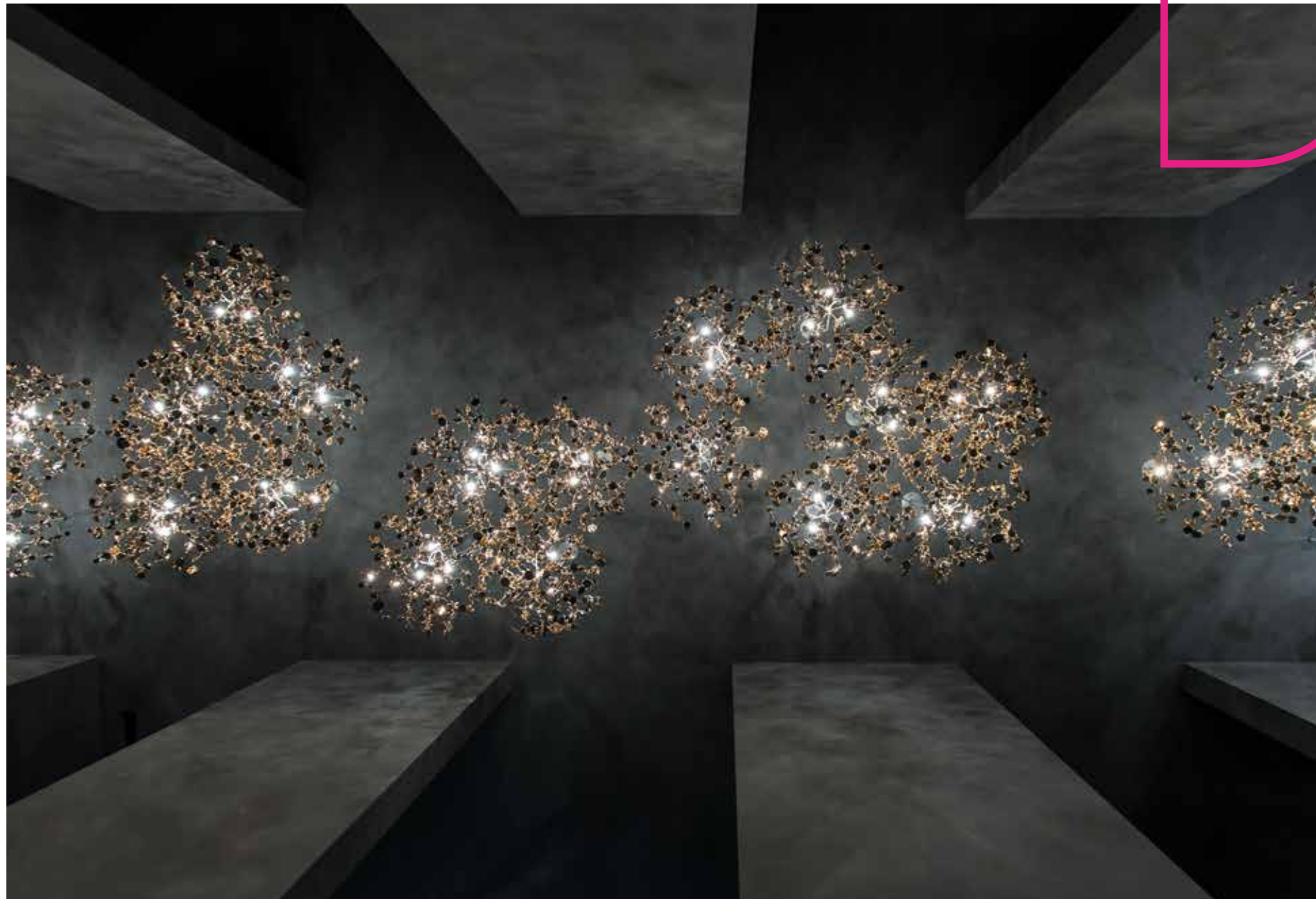
contemporary

made in italy

TERZANI
LA LUCE PENSATA



Precious Design



Terzani's Precious Design Concept is luxury evolved. Each piece in this new lighting collection breaks the staid boundaries of traditional luxury, and incorporates stunningly modern design, cutting-edge technology, artisan craftsmanship and precious materials.

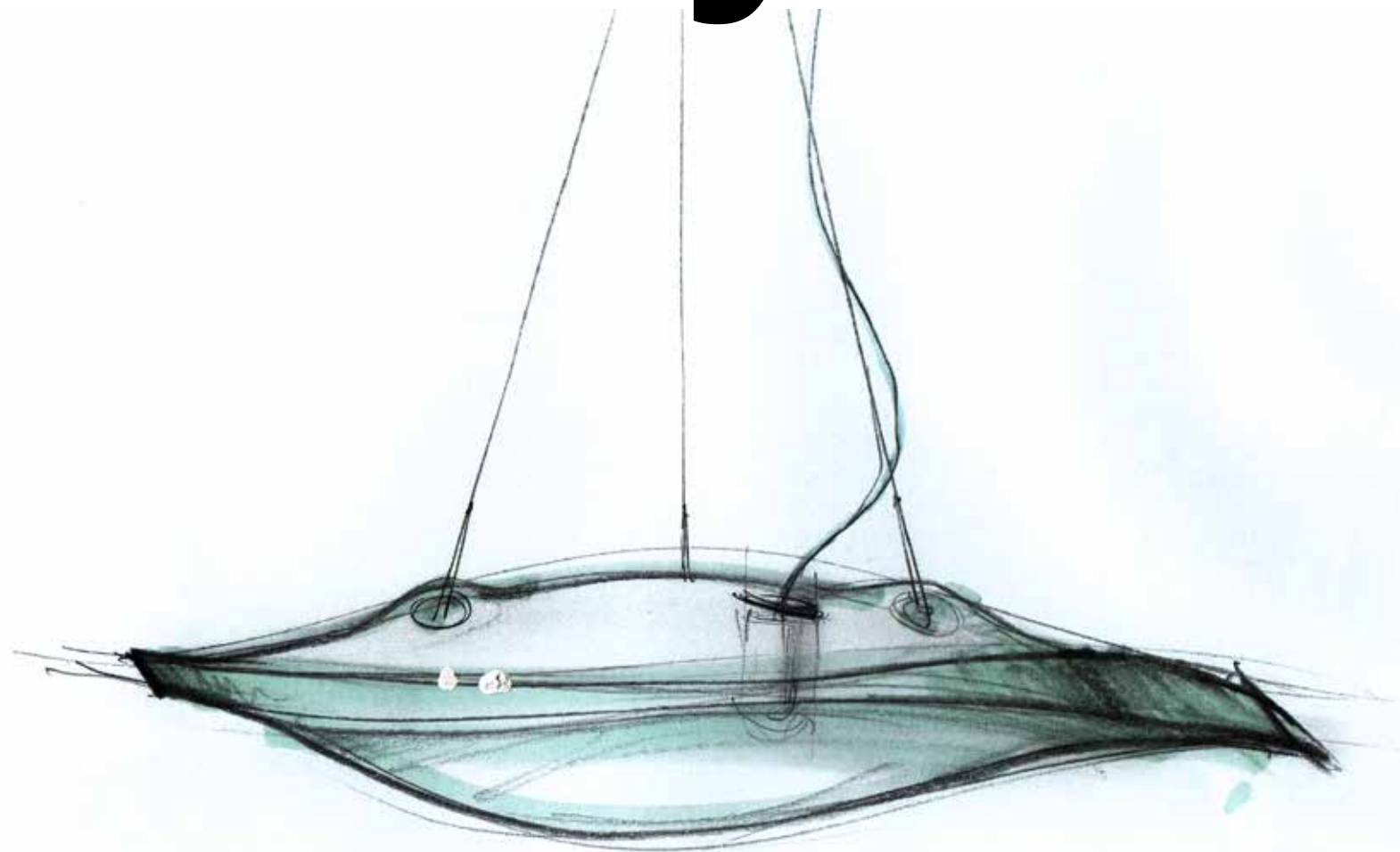
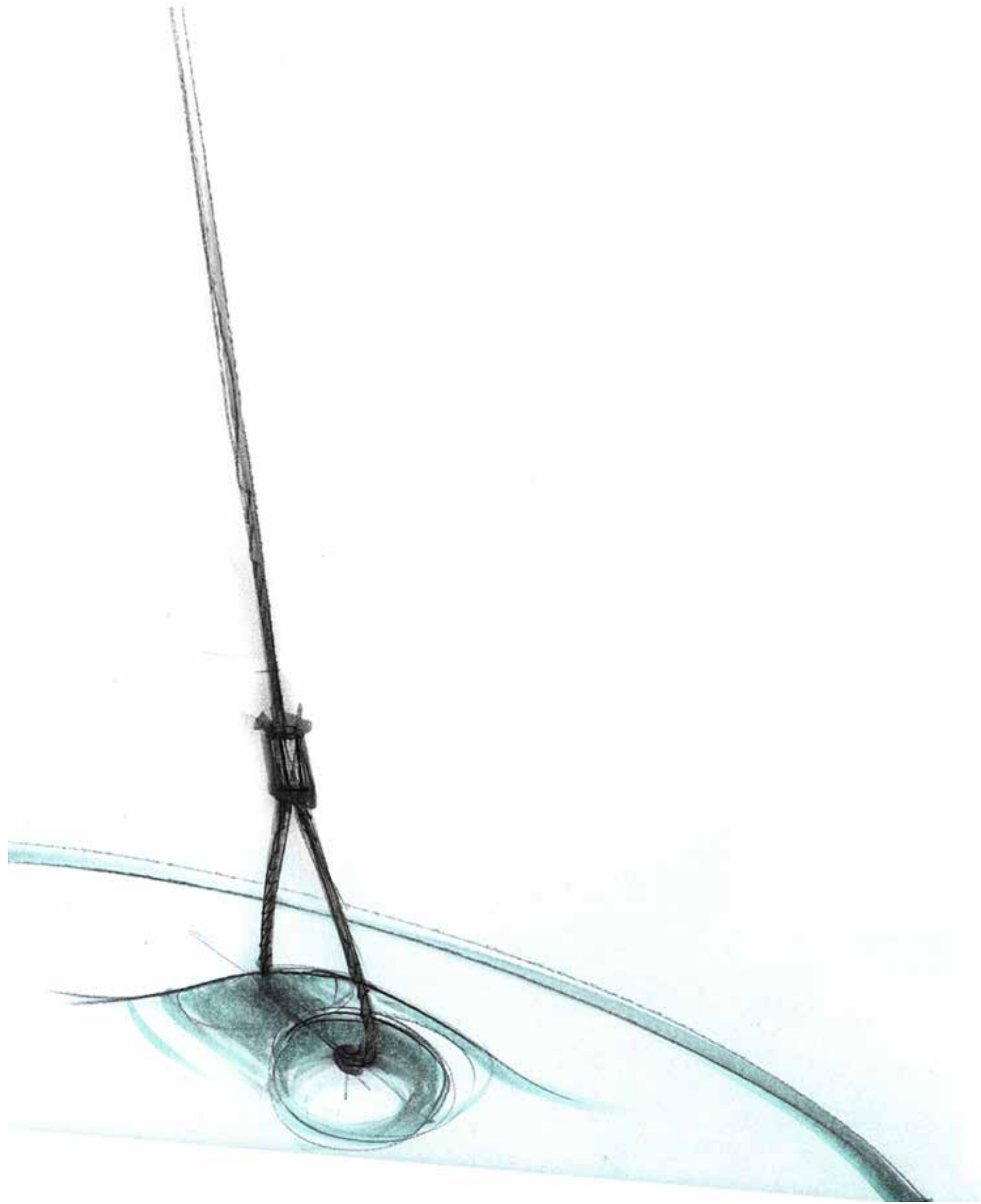
Intersection of art, luxury and design

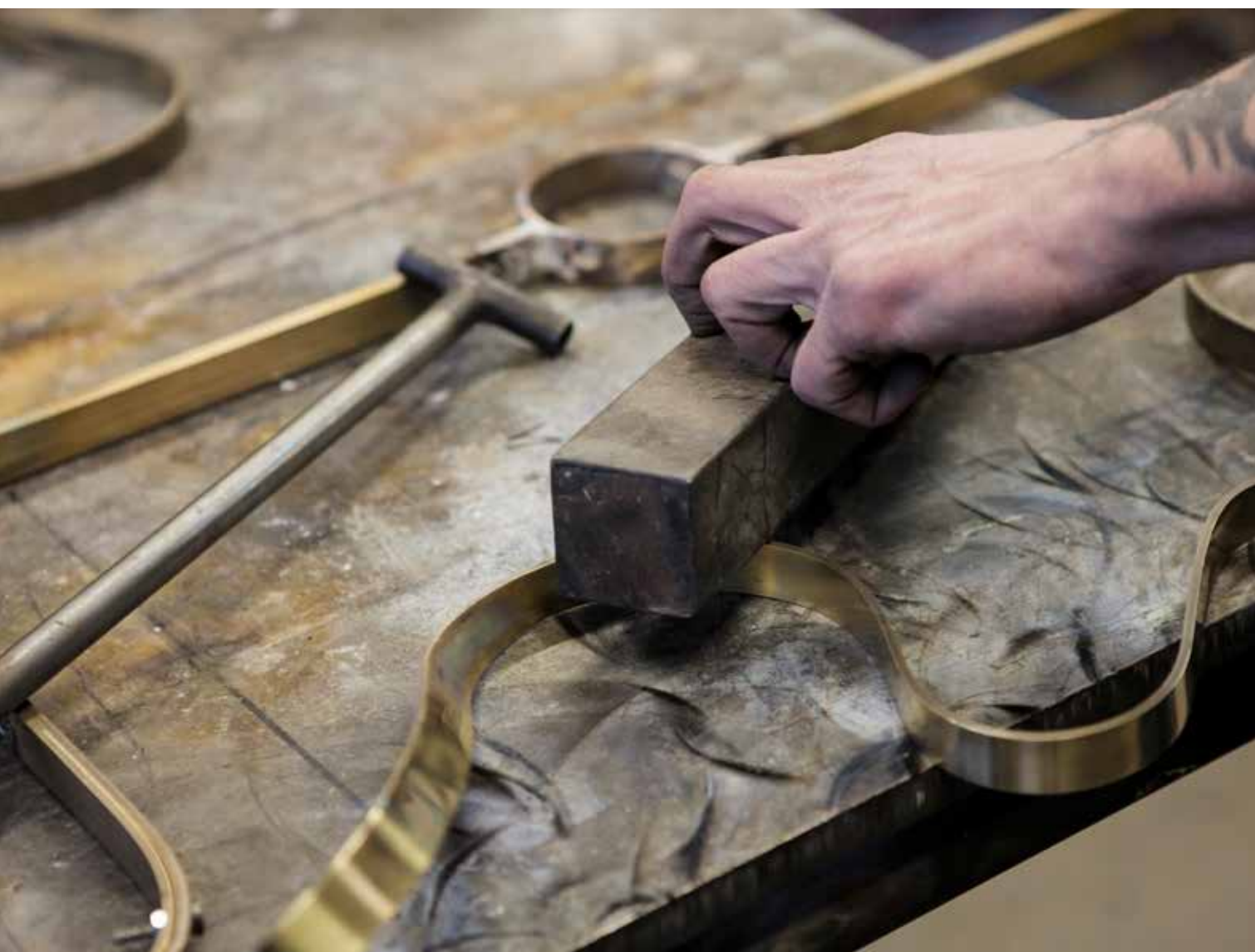
The result are sculptures of light whose illumination transforms spaces through dynamic lighting and shadow effects. They create a new visual language of what luxury is, one that reflects both today's aesthetics, architecture and design traditions yet also pushes towards the future.

Index

180	Abacus
294	Angel Falls
300	Anish
084	Argent
032	Atlantis
362	Bond
280	Calle
252	Core
218	Doodle
022	Epoque
330	Etoile
268	Frame
160	Gaia
350	Glamour
308	G.r.a
366	Hugo
262	Iceberg
236	I Lucci Argentati
338	Kika
358	Magdalena
148	Manta
114	Mizu
208	Moiré
318	Orten'zia
198	Oscar
174	Pug
290	Shar Pei
078	Soscik
056	Stream
344	Tresor
068	Volver
370	Wabi

crea-
tivity





herit- age



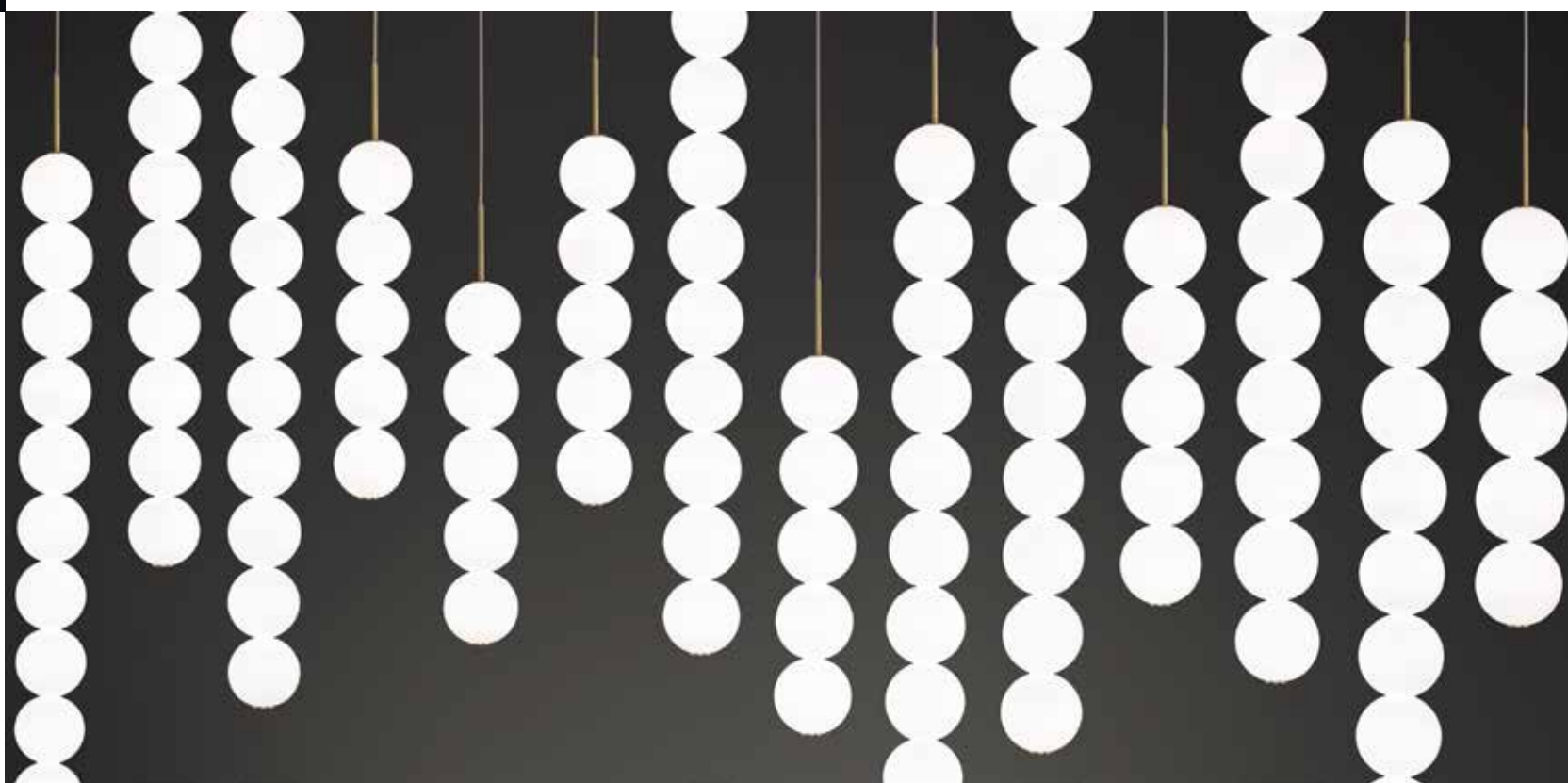


sculp-
tural





contem-
porary





hand-
made





elegance





emotion

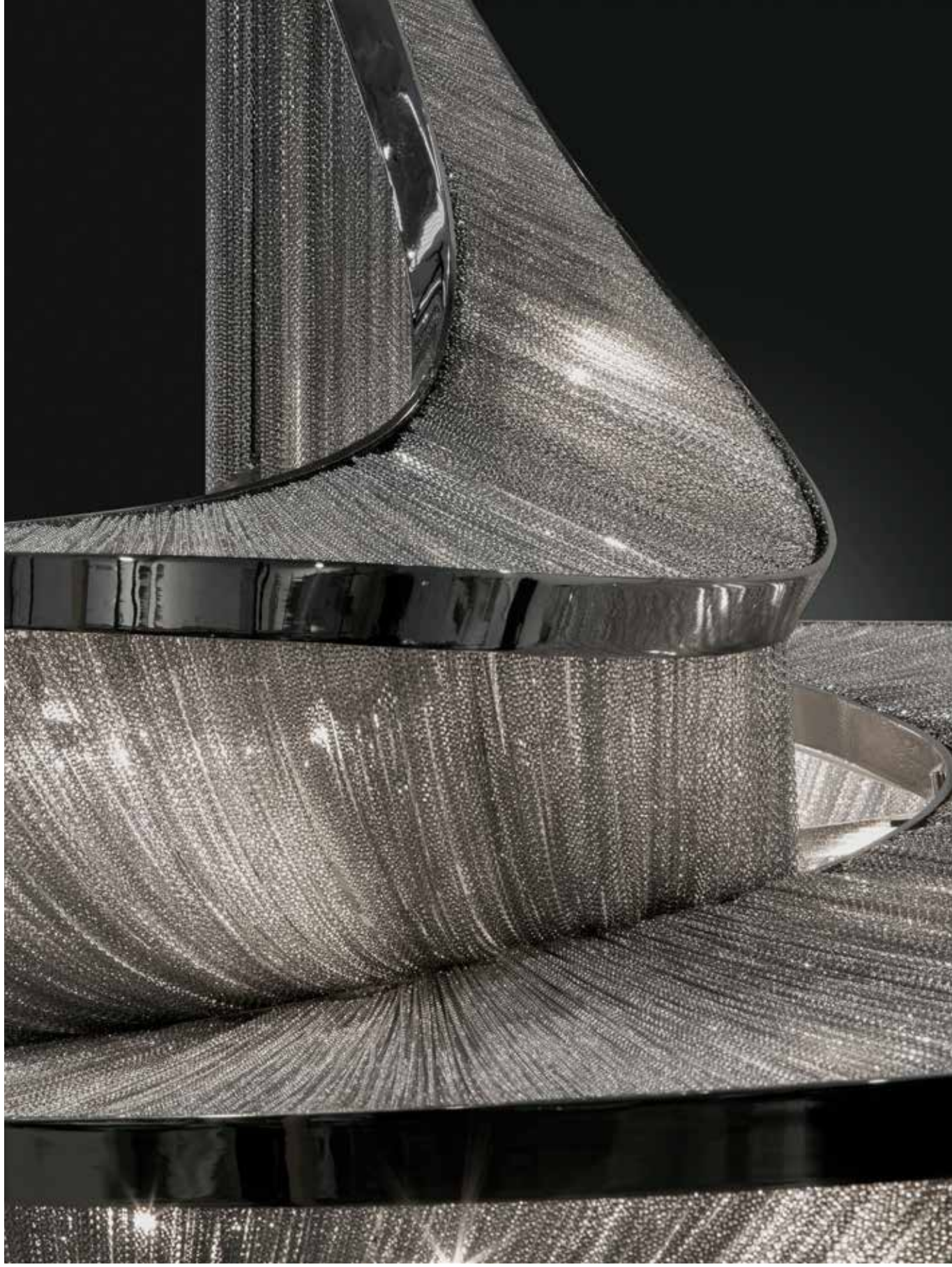


Epoque, Cyclical *Light.*

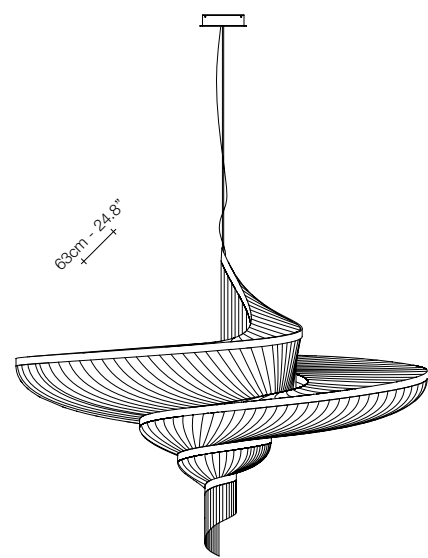
Epoque is a light sculpture designed to study chiaroscuro and volumes. The result is a modern expression of these Renaissance-era techniques in a stunning chandelier. Composed of curved, organic lines, Epoque's frame is made of flexible and durable brass metal, suspended by nickel metal chains. Two bands of metal, a central elongated section and an external band of wide arcs, allows the light to envelop a room in reflections of soft light. Epoque has attracted attention from those in the design community with discerning tastes. Epoque is available in nickel, black nickel, gold and bronze finish. Design Stefano Papi & Saviz Yaghmai.



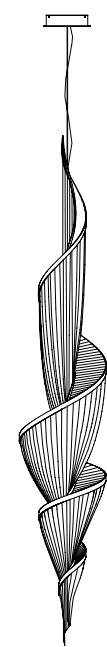








190cm - 74.8"
105cm - 41.3"



250cm - 98.4"
200cm - 78.7"

136cm - 53.5"

G90S



Ø35cm - 13.8"

G91S



NICKEL





BLACK NICKEL



BRONZE



GOLD

INTEGRATED LED		G90S	G91S
230V		LED 20x2.1W 4800lm	12x2.1W 2880lm
	Dimmer	PUSH DALI	0/1-10V PUSH/DALI
120V		LED 20x2.1W 4800lm	12x2.1W 2880lm
	Dimmer	1-10V PWM 10-100 Ω	0/1-10V PUSH/DALI

Epoque can be manufactured to work with 3000K or 2700K LED. Different dimming options on request



Atlantis, a precious *wave.*

Seemingly alive, Atlantis' shimmering light creates a vibrant source of energy. Its mesmerizing, organic effect is created by hundreds of illuminated lengths of draped, nickel chain. Like water in the ocean, Atlantis' chains appear liquid, cascading over its gloss nickel bands and falling down towards the abyss before turning back into itself. Atlantis is composed of almost three miles of chain, meticulously hand-crafted by master italian artisans. Atlantis is available in nickel, black nickel, bronze, gold and champagne finish. Design Barlas Baylar.









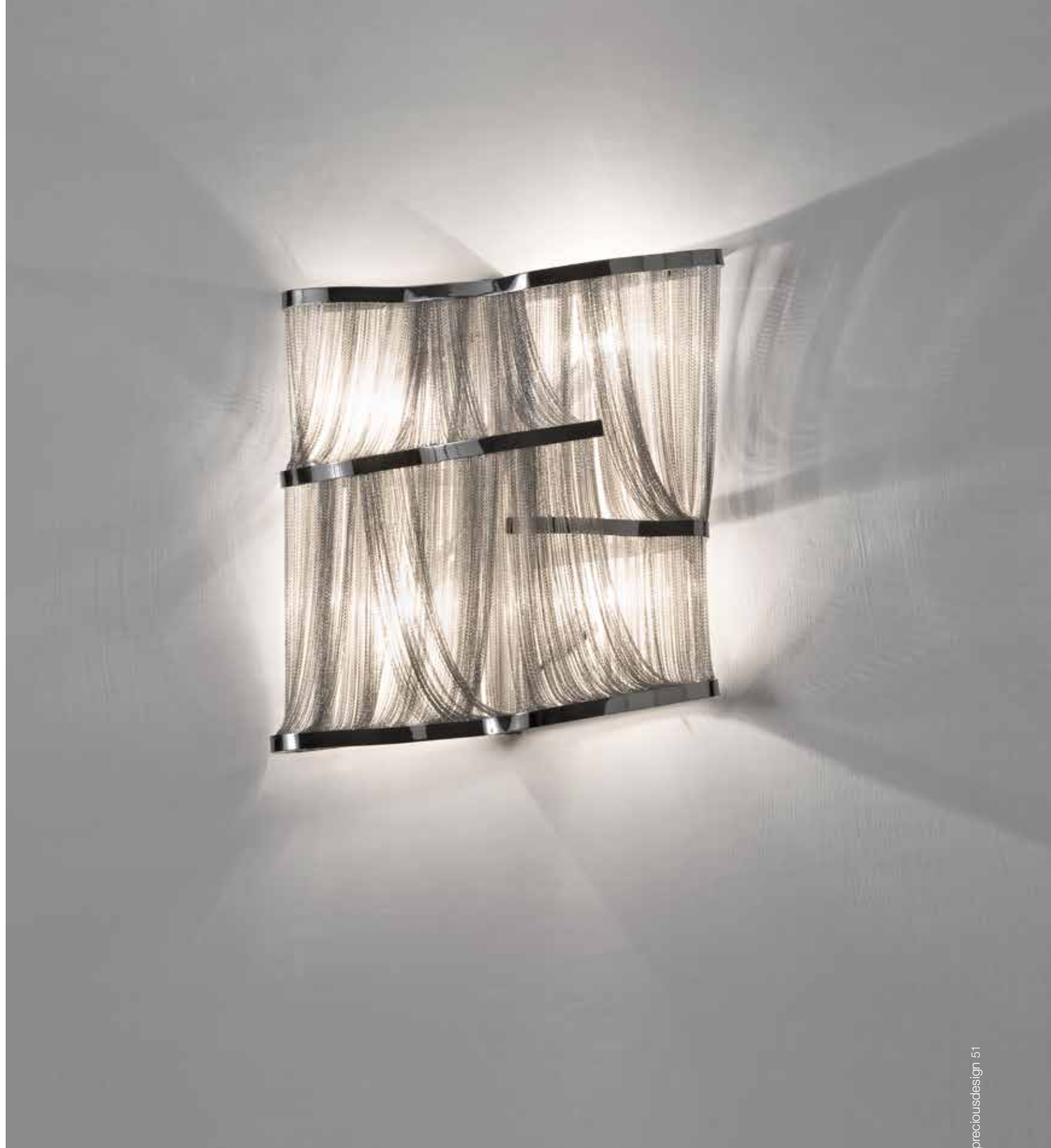


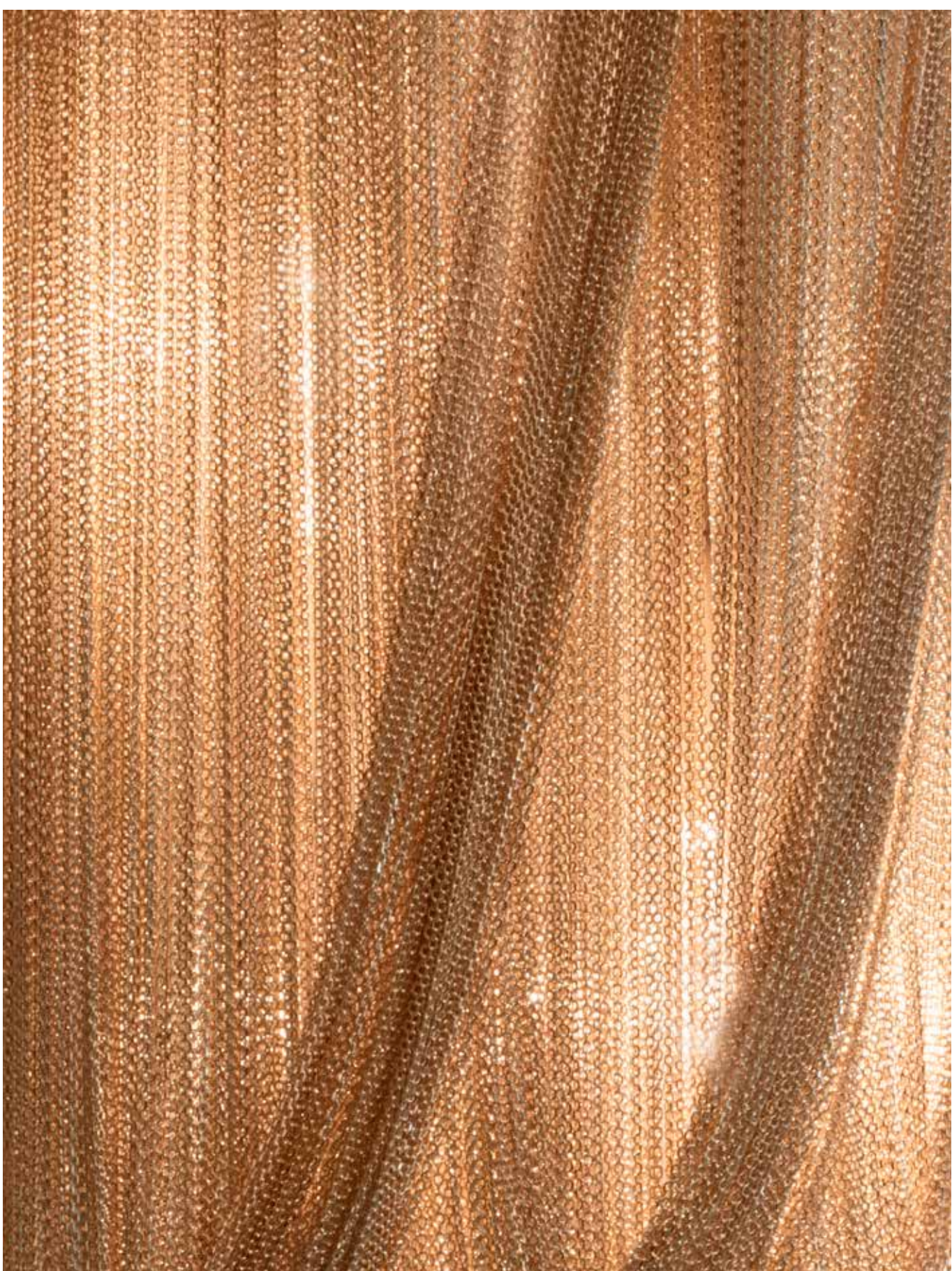


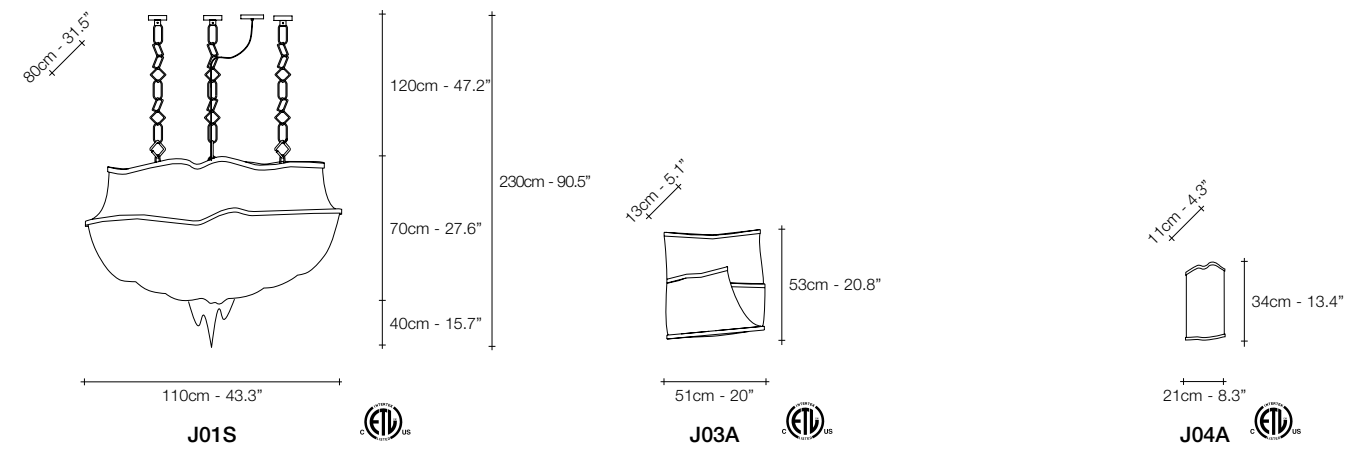
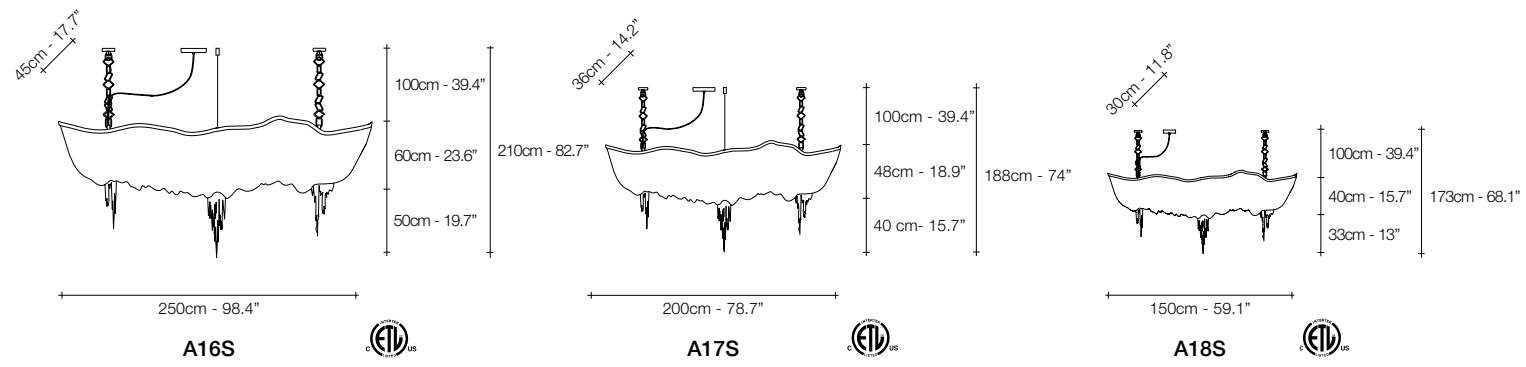
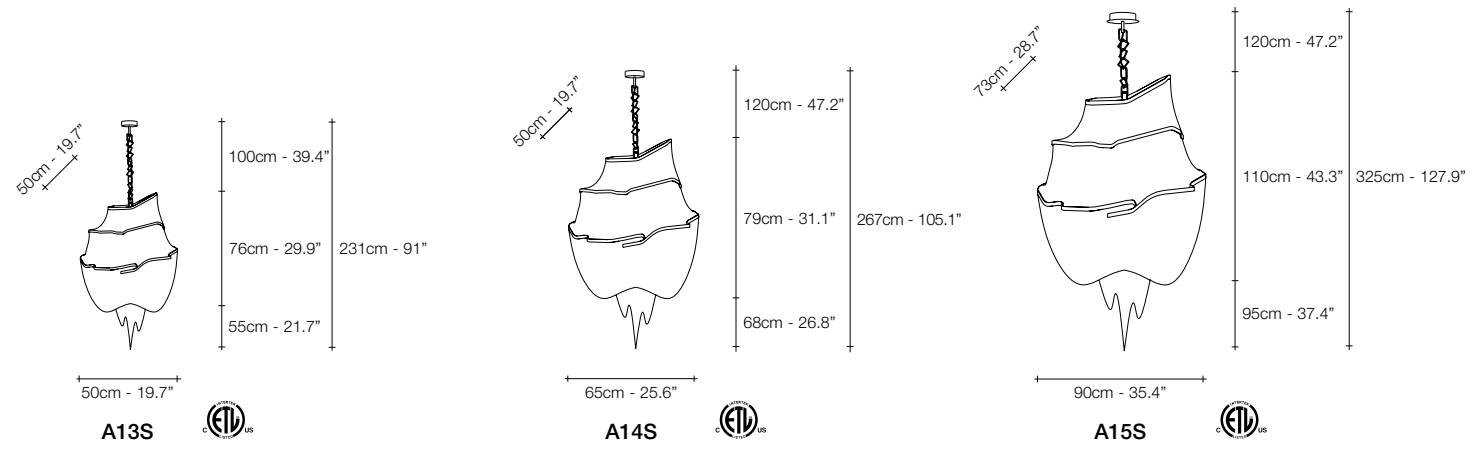












RECOMMENDED BULB		A13S	A14S	A15S	A16S	A17S	A18S	J01S	J03A	J04A
230V	E14 LED	6x6W	8x6W	8x6W	10x6W	10x6W	8x6W	8x6W	4x6W	2x6W
	Dimmable with all systems	-	-	-	-	-	-	-	-	-
120V	E12 LED	6x5.5W	8x5.5W	8x5.5W	10x5.5W	10x5.5W	8x5.5W	10x5.5W	4x5.5W	2x5.5W
	Dimmable with all systems	-	-	-	-	-	-	-	-	-



Stream, Iridescent *Light.*

A stunning design from Christian Lava, Stream is an impressive presence in any room. Stream's design exploits the physical characteristics of the materials used to envelop a room in a unique, immersive light. Here, an elegant thin metal chain appears to flow down from the undulating, nickel-plated frame. These cascading tiers project a streaking, yet tranquil, shadow throughout the room. Design Christian Lava.

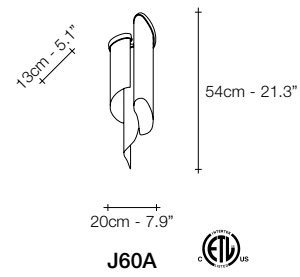
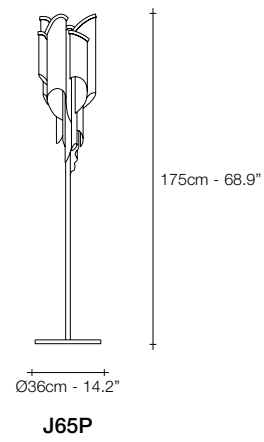
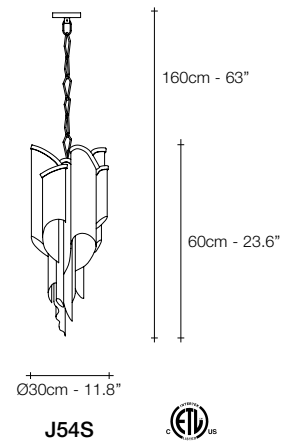
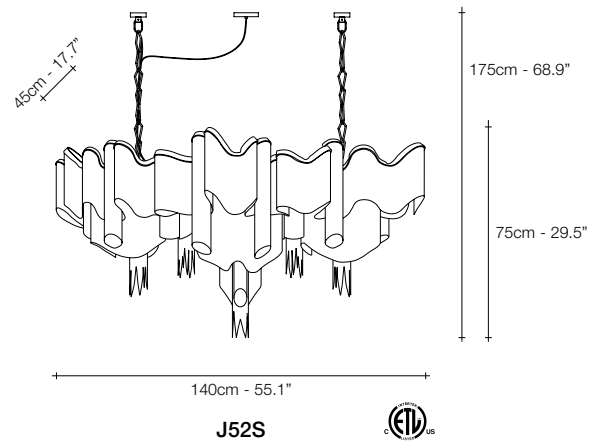
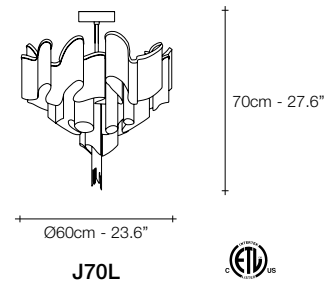
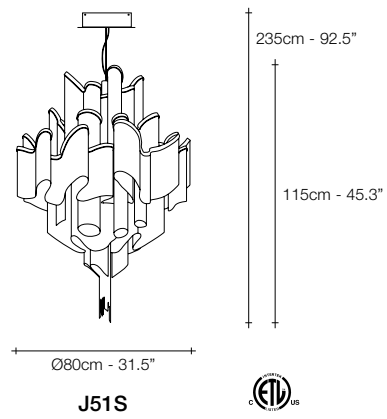
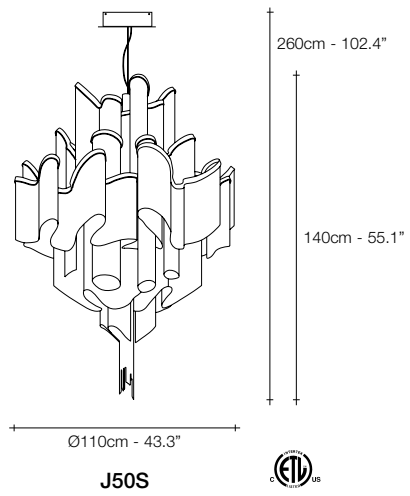




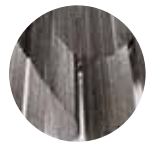




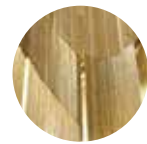




NICKEL



BLACK NICKEL



GOLD

RECOMMENDED BULB	J50S	J51S
230V E14 LED GU10 LED	20x4W 5W	18x4W 5W
Dimmable with all systems	-	-
120V E12 LED GU10 LED	20x4W 6W	18x4W 6W
Dimmable with all systems	-	-

RECOMMENDED BULB	J52S	J70L	J54S
230V G9 LED GU10 LED	12x3.5W 3x5W	8x3.5W 5W	4x3.5W 5W
Dimmable with all systems	-	-	-
120V G9 LED GU10 LED	12x4W 3x6W	8x4W 6W	4x4W 6W
Dimmable with all systems	-	-	-

RECOMMENDED BULB	J60A	J65P
230V E14 LED	2x6W	6x6W
Dimmable with all systems	-	integrated
120V E12 LED	2x5.5W	6x5.5W
Dimmable with all systems	-	-

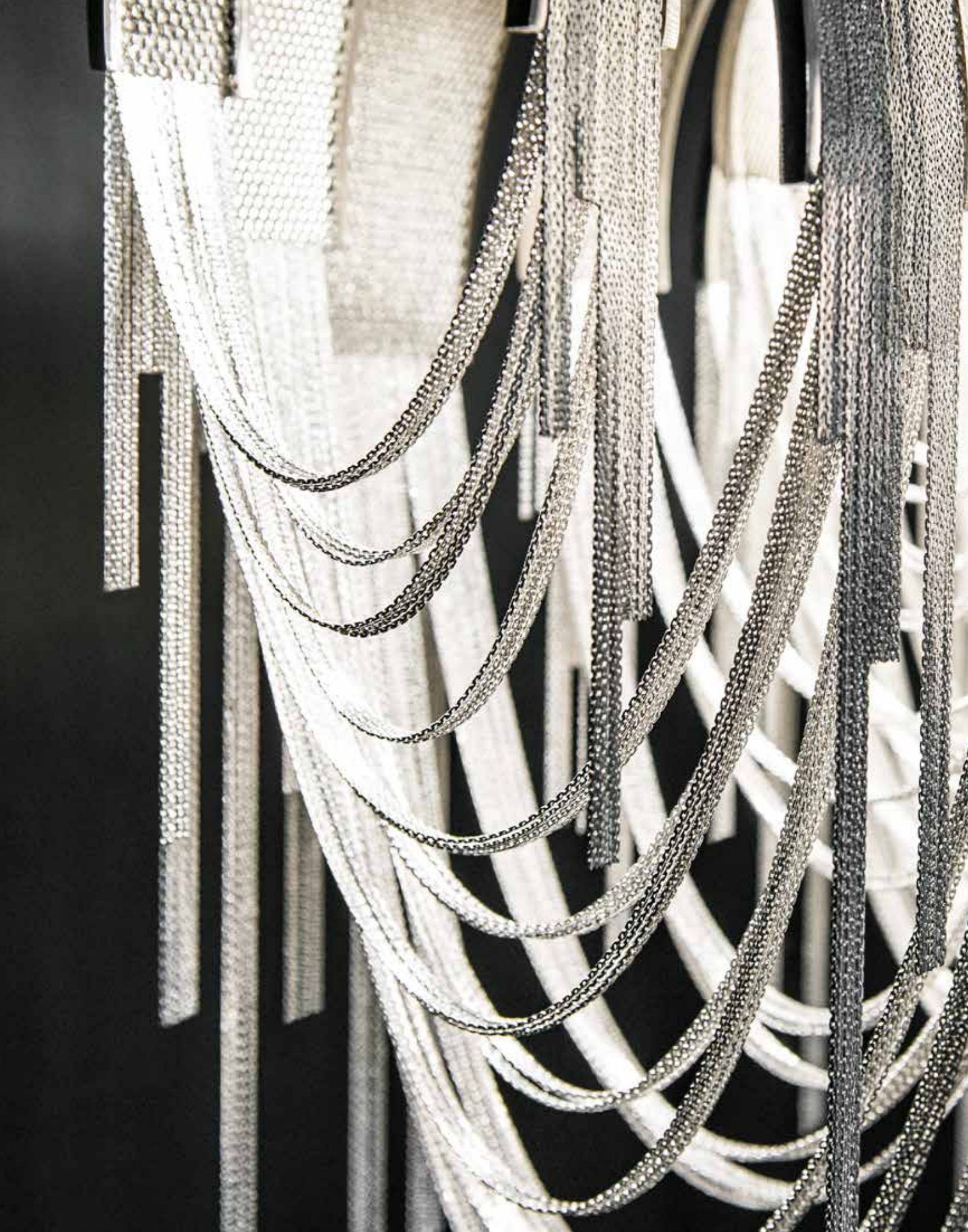


Volver, Breath of new *Light.*

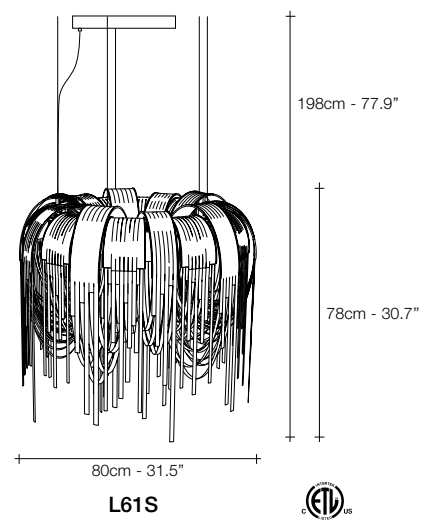
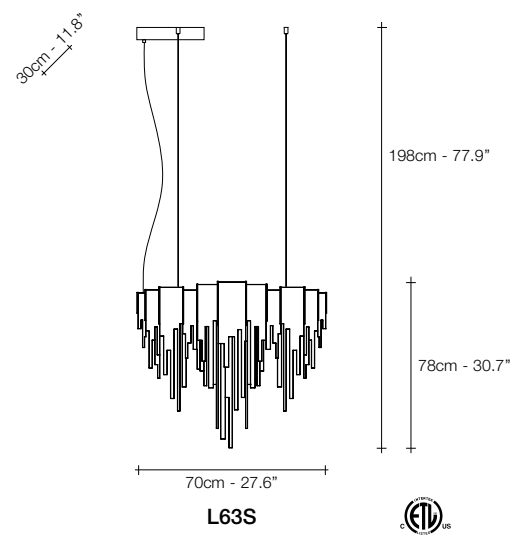
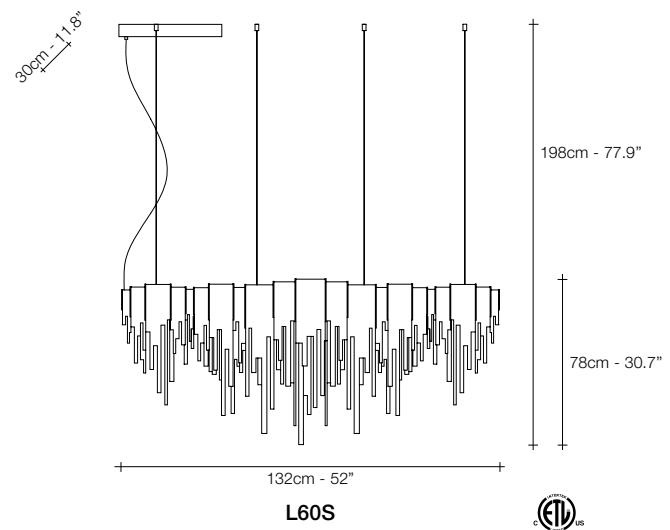
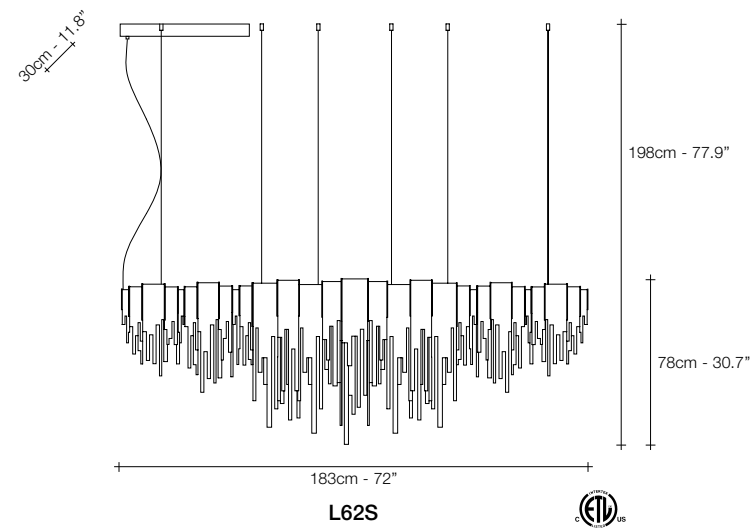
At Terzani, we are fortunate to work with some of the brightest young stars in Italian design. For Volver, designer Diego Bassetti and architect Andrea Panzieri of Studio 14, protégés of Bruno Rainaldi, applied their multidisciplinary approach to create Terzani's first LED suspension light. This geometric design combines thin nickel chains with the latest in LED technology to create a light that is both elegant and modern. A breath of new light, Volver melds technology and art to achieve a new level of luxury. Available in a circular variation. Design Studio 14.







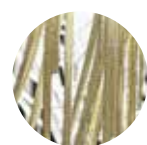




NICKEL



BLACK NICKEL



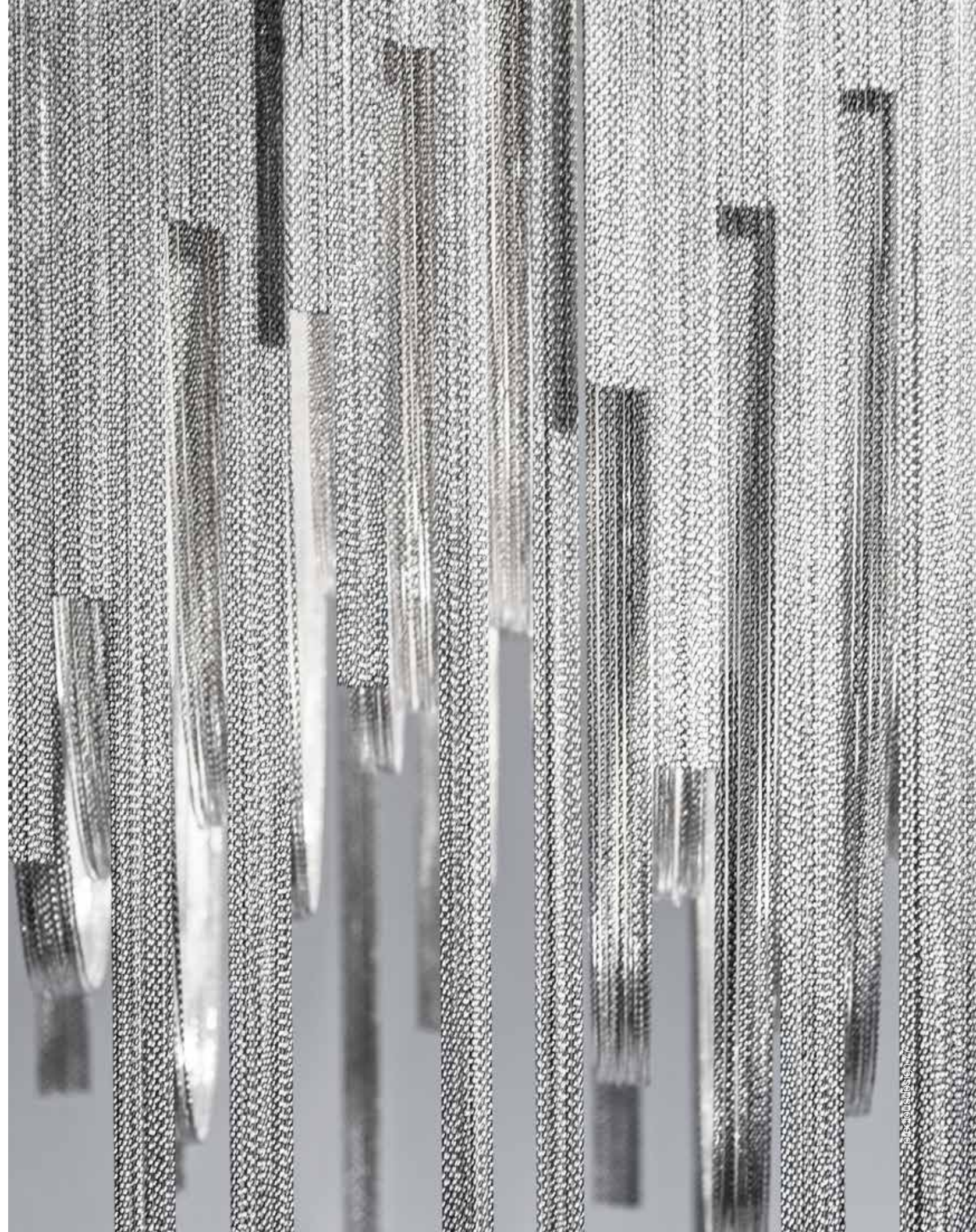
GOLD



BRONZE

	INTEGRATED LED	L60S	L61S	L62S	L63S
230V	LED BOARD	10x4.5W	10x4.5W	20x4.5W	7x4.5W
	CRI 90	53000lm	53000lm	10600lm	3710lm
	Dimmer	0-10V PUSH/DALI	0-10V PUSH/DALI	0-10V PUSH/DALI	1-10V PWM 10K-100K Ω PUSH/DALI
120V	LED BOARD	10x4.5W	10x4.5W	20x4.5W	7x4.5W
	CRI 90	53000lm	53000lm	10600lm	3710lm
	Dimmer	0/1-10V	0/1-10V	0/1-10V	1-10V PWM 10-100 Ω

Volver can be manufactured to work with integrated LED 3000K or 2700K. Different dimming options on request.

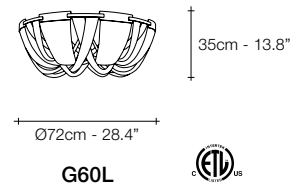
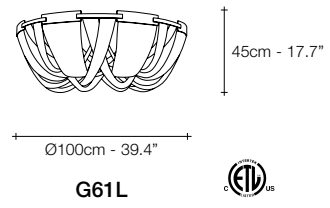
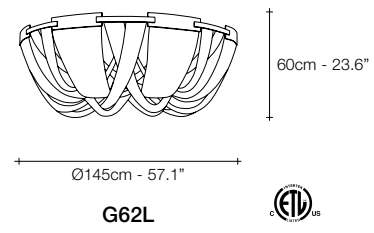
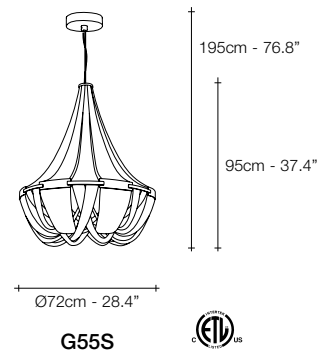
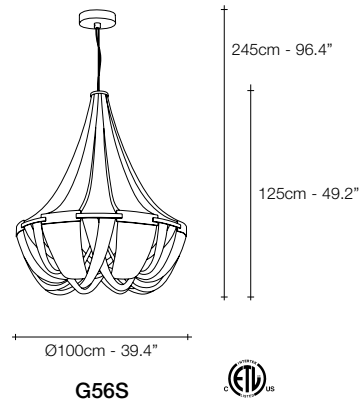
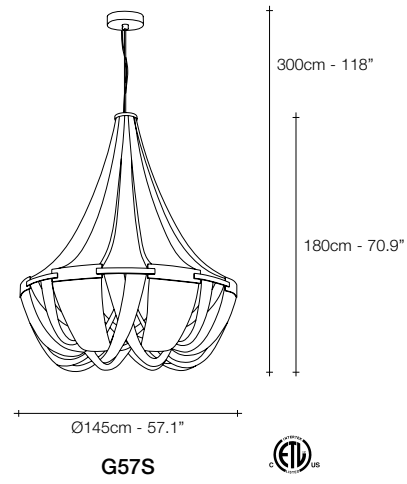


Soscik, Classic form, *Modern look.*

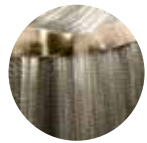
Reinventing the classics. With Soscik, Terzani combines traditional, artisan techniques with cutting edge technology to give the traditional chandelier a modern update. Over the plated frame, Soscik creates a dramatic and romantic effect, while still being able to compliment today's modern luxury. Available as a chandelier or a ceiling lamp, Soscik proves that modern design does not have to sacrifice luxury. Design Nicolas Terzani.







NICKEL

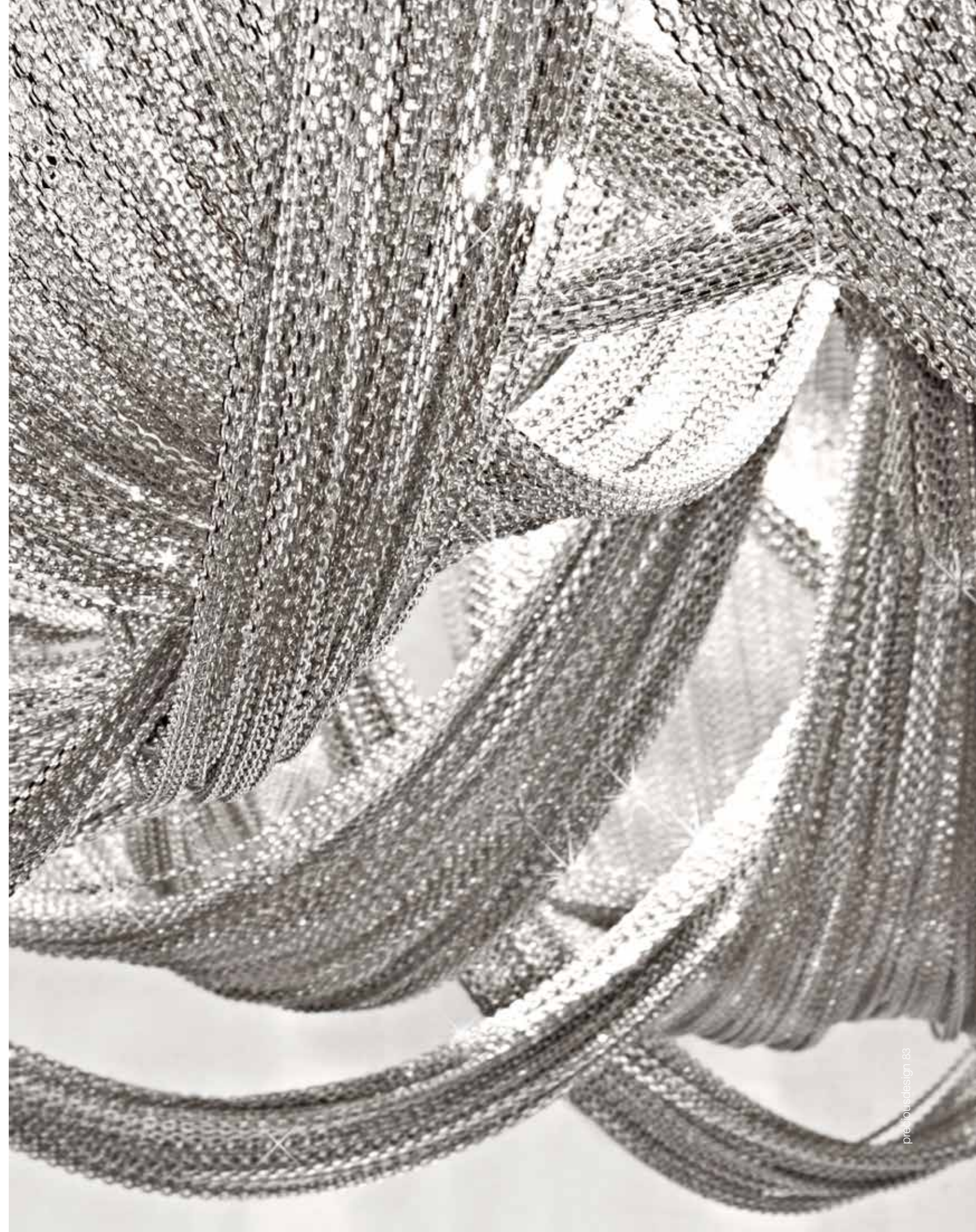


BRONZE



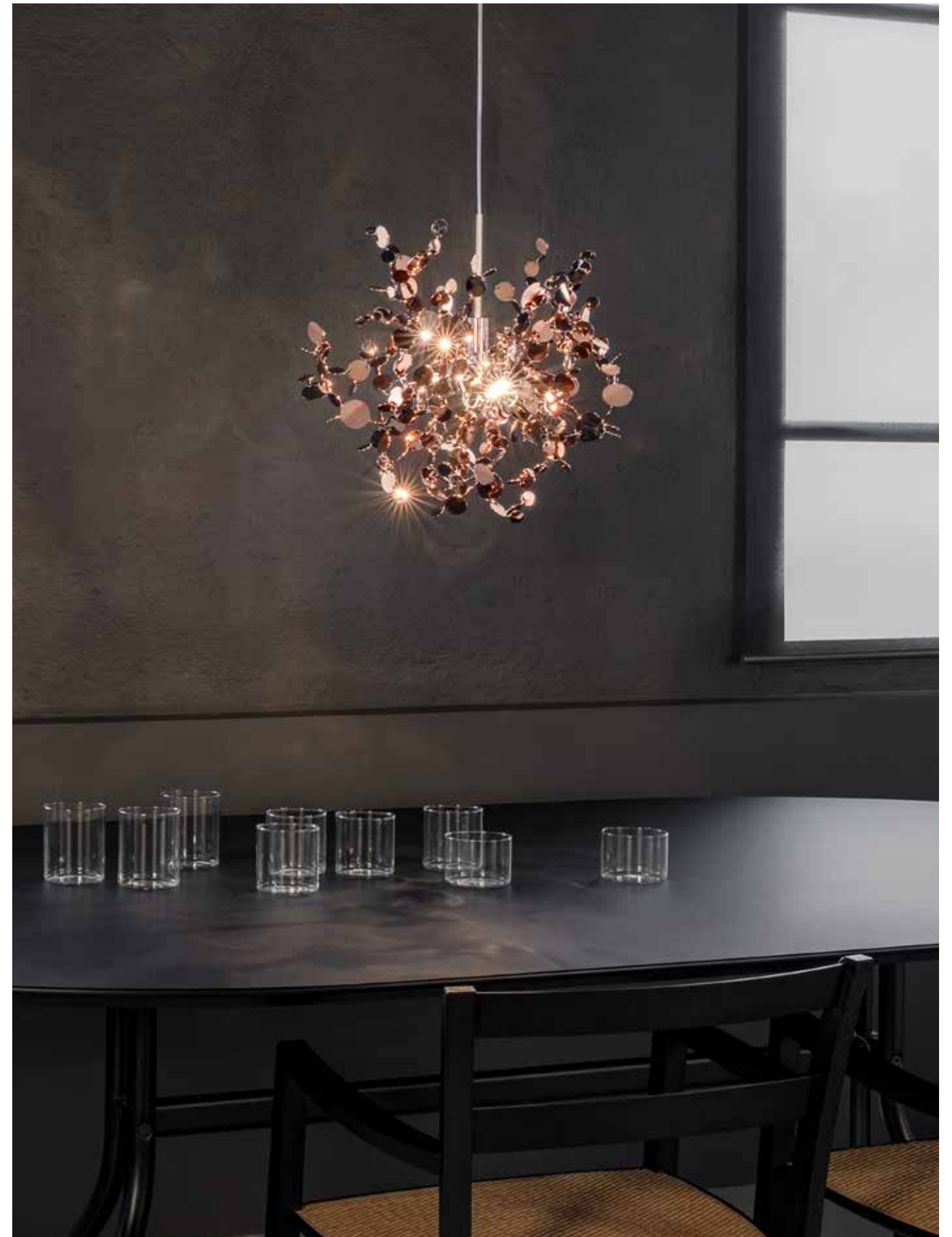
GOLD

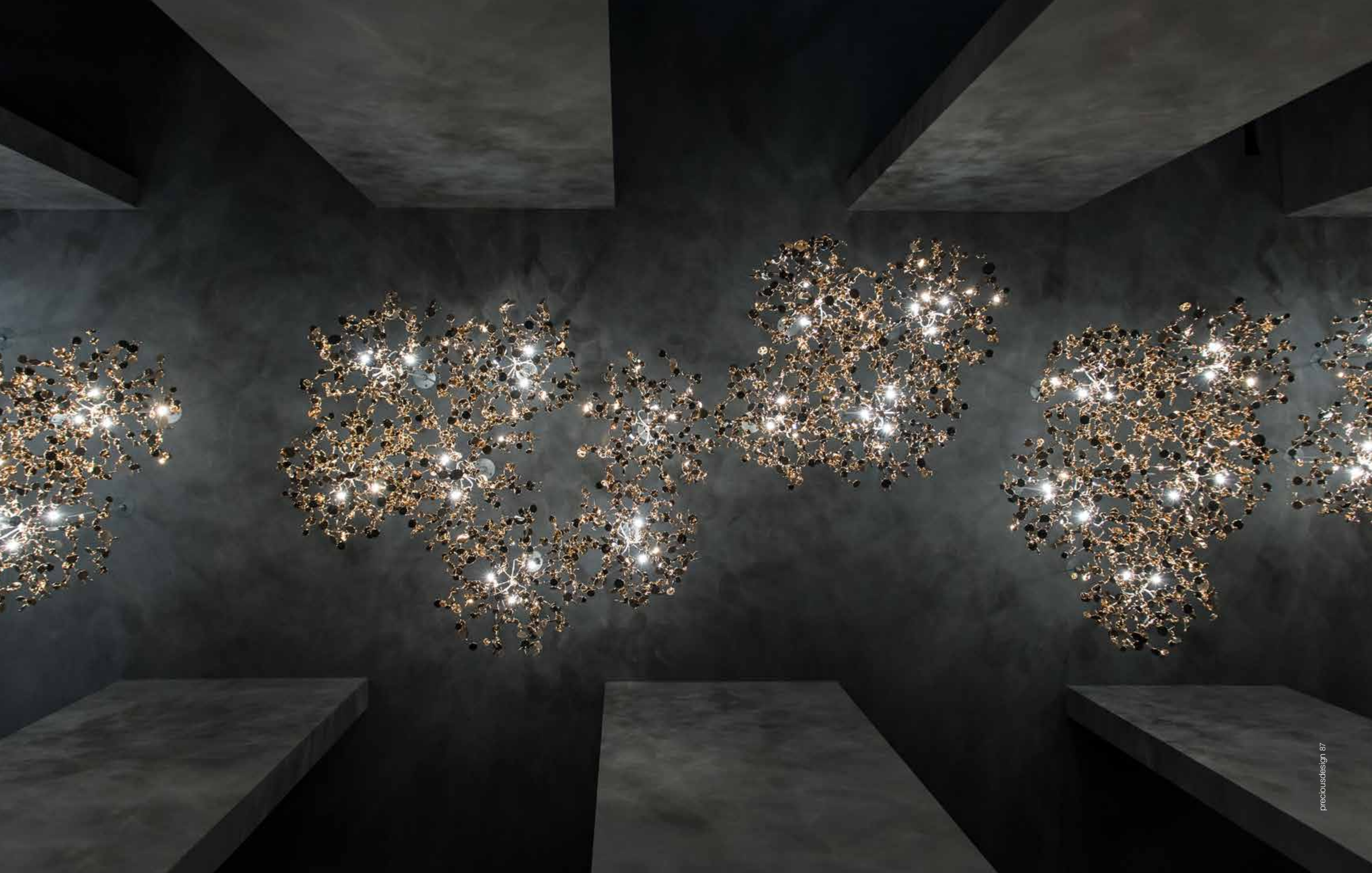
RECOMMENDED BULB		G55S	G56S	G57S	G60L	G61L	G62L
230V	G9 LED	8x3,5W	12x3,5W	14x3,5W	8x3,5W	10x3,5W	12x3,5W
	Dimmable with all systems	-	-	-	-	-	-
120V	G9 LED	8x4W	12x4W	14x4W	8x4W	10x4W	12x4W
	Dimmable with all systems	-	-	-	-	-	-



Argent, a precious *cloud.*

With this suspension light, designer Dodo Arslan creates a shimmering cloud. Argent consists of metal discs that have been meticulously shaped by hand by Terzani craftsmen into clusters. Once lit, the multiple, angled surfaces of the discs emanate a soft, shimmering glow. Argent is available in stainless steel, gold plated and rose gold finish. Black nickel and champagne are available on request. Design Dodo Arslan.





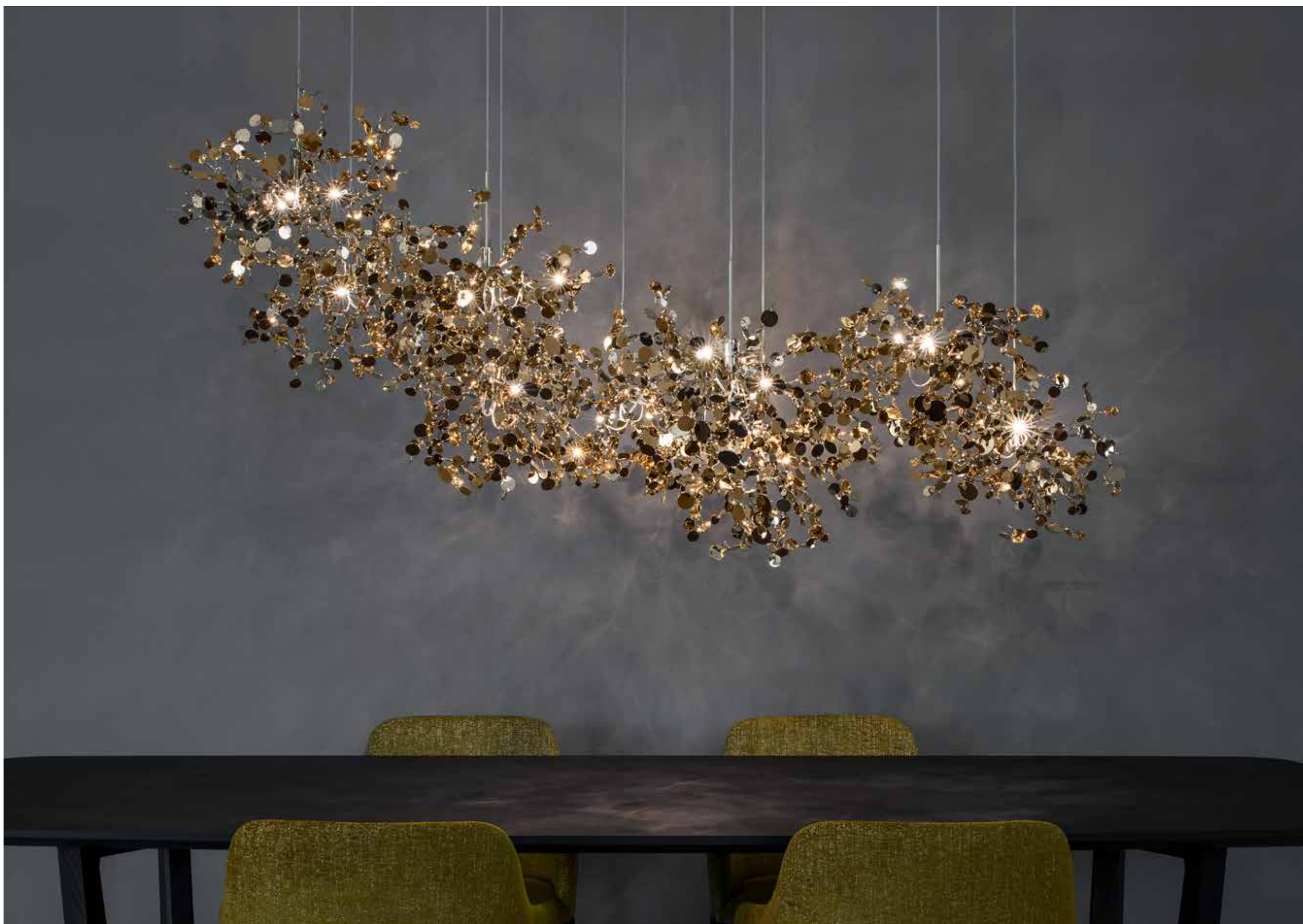




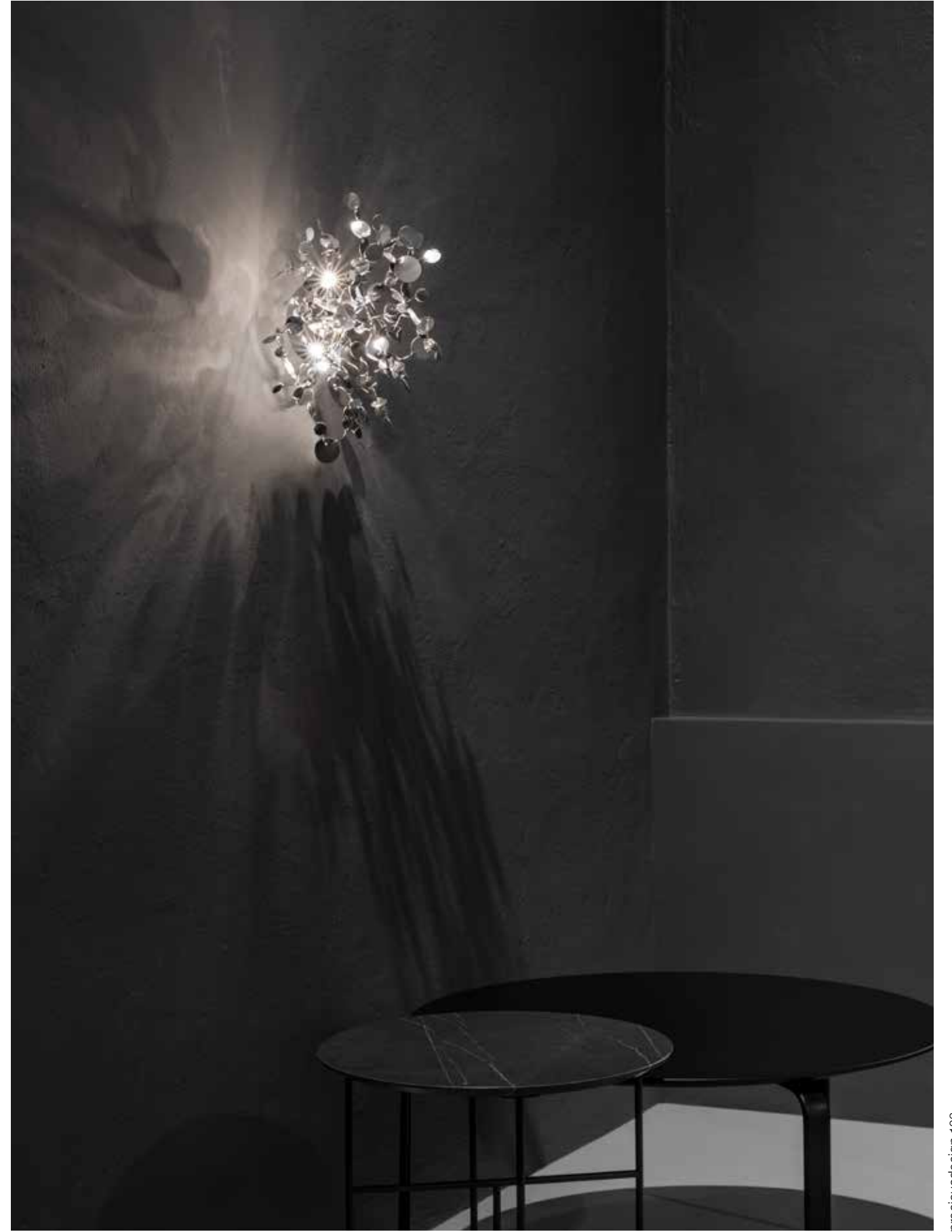










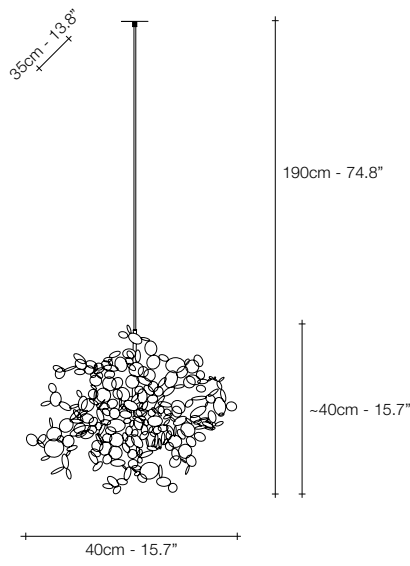




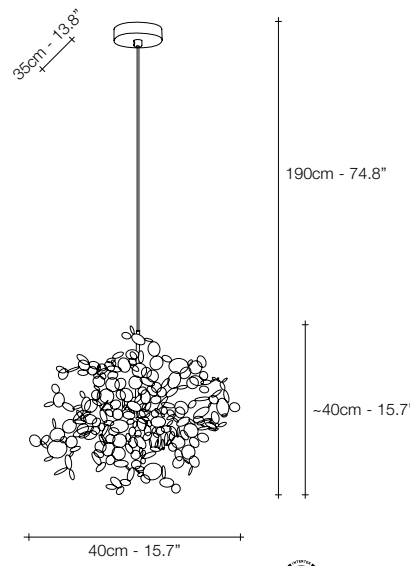




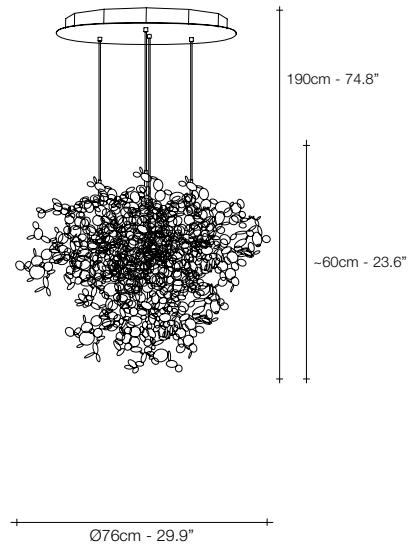




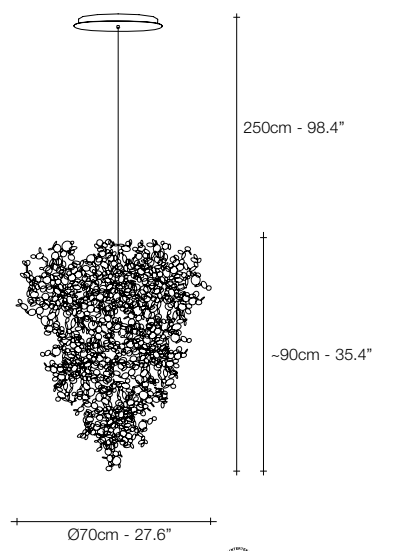
N90S KK
WHITE DISC



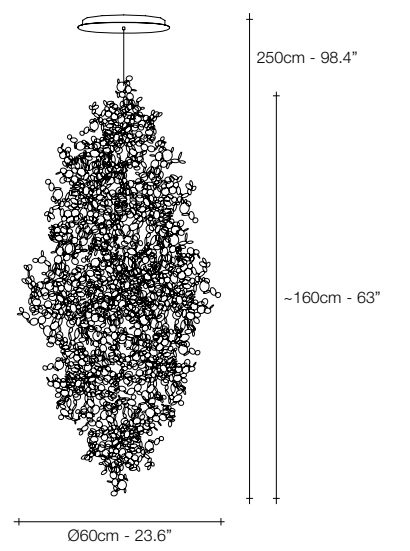
N90S



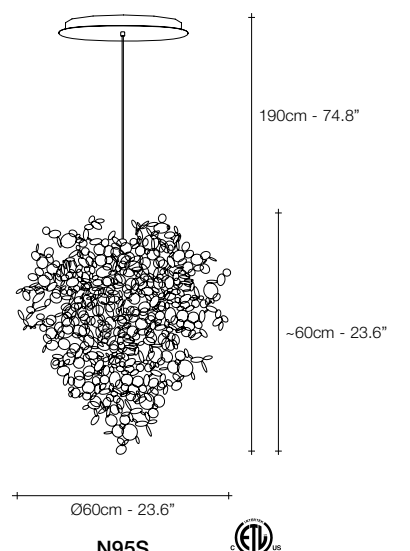
N91S



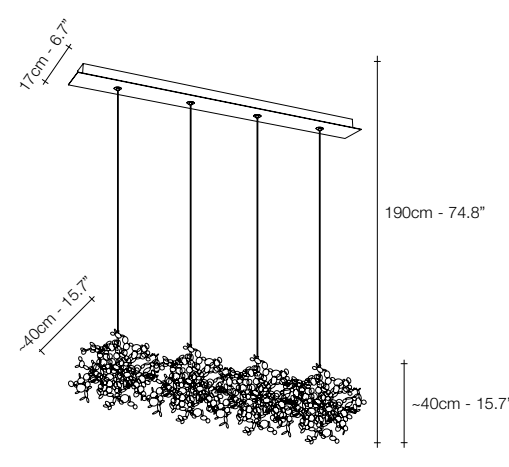
N93S



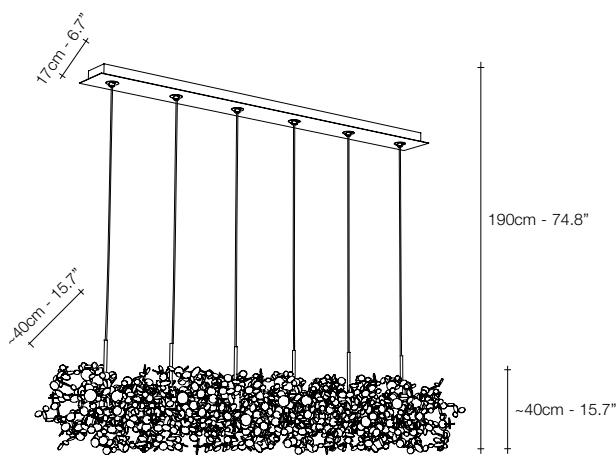
N94S



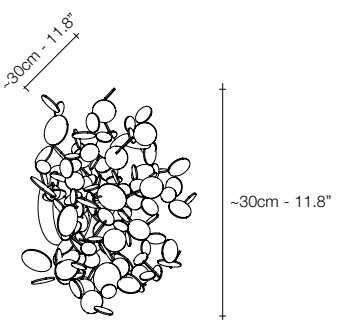
N95S



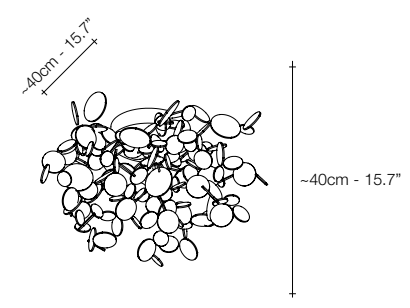
N92S



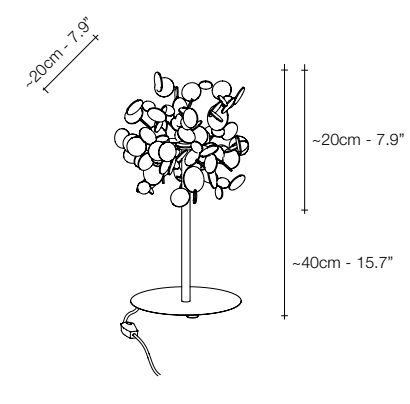
N89S



N97A



N99L



N98B

N/A in North America



STAINLESS STEEL



GOLD PLATED



ROSE GOLD PLATED



BLACK NICKEL (on request)



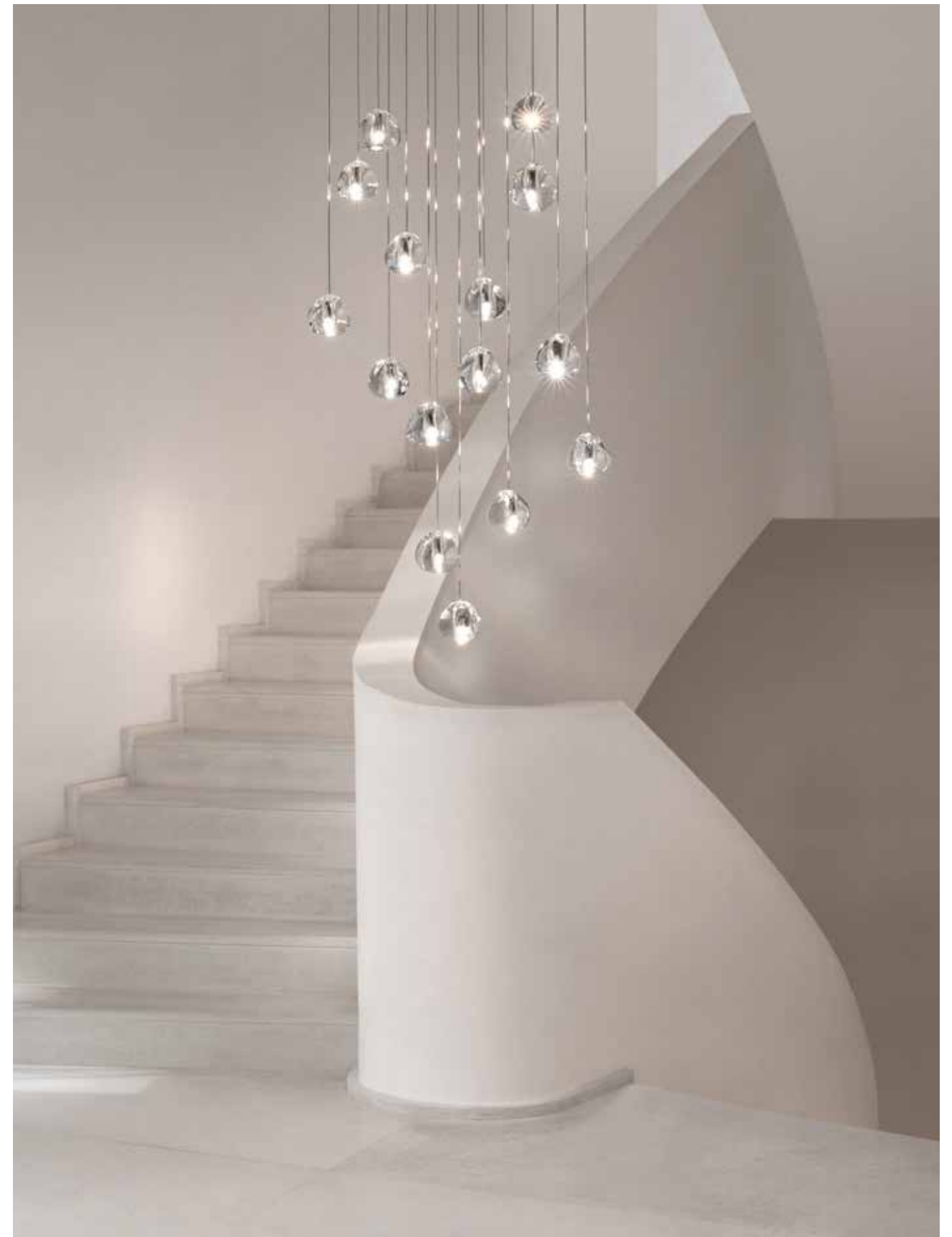
CHAMPAGNE (on request)

	RECOMMENDED BULB	N90S KK	N90S	N91S	N92S	N89S	N97A	N99L	N98B	INTEGRATED LED	N93S	N94S	N95S	
230V	G4 HALOGEN	3x20W	3x20W	12x20W	12x20W	18x20W	3x20W	3x20W	-	230V	LED	12x2.1W	18x2.1W	6x2.1W
	G4 LED	3x2W	3x2W	12x2W	12x2W	18x2W	3x2W	3x2W	3x2W			3285lm	4930lm	1640lm
	Dimmer	IGBT 0/1-10V 100K Ω PUSH/DALI	IGBT TRIAC DALI	IGBT 0/1-10V 10V PWM 100K Ω PUSH/DALI	IGBT 0/1-10V 10V PWM 100K Ω PUSH/DALI	IGBT 0/1-10V 10V PWM 100K Ω PUSH/DALI	IGBT TRIAC DALI	IGBT TRIAC DALI	no	Dimmer	1-10V PUSH/DALI	PUSH/DALI	0/1-10V PUSH/DALI	
120V	G4 XENON	3x20W	3x20W	12x20W	12x20W	18x20W	3x20W	3x20W	-	120V	LED	12x2.1W	18x2.1W	6x2.1W
	G4 LED	3x2W	3x2W	12x2W	12x2W	18x2W	3x2W	3x2W	-			Dimmer	0/1-10V PUSH/DALI	0/1-10V PUSH
	Dimmer	IGBT TRIAC	IGBT TRIAC	IGBT TRIAC	IGBT TRIAC	IGBT TRIAC	IGBT TRIAC	IGBT TRIAC	-					

Argent N93S, N94S, N95S can be manufactured to work with integrated LED 3000K or 2700K. Different dimming options on request.

Mizu, flowing *light.*

Inspired by the tranquil and mesmerizing light refractions created by water, Mizu is a customizable pendant light from Terzani. Like water droplets, no two Mizu are alike, each crystal shape is unique and made meticulously by hand. Using only the clearest crystal, Mizu perfectly emulates water's refraction of light, casting amazing patterns around the room, reminiscent of flowing water. Available in clear, silver dust, gold, cognac and champagne finish. Design Nicolas Terzani.



















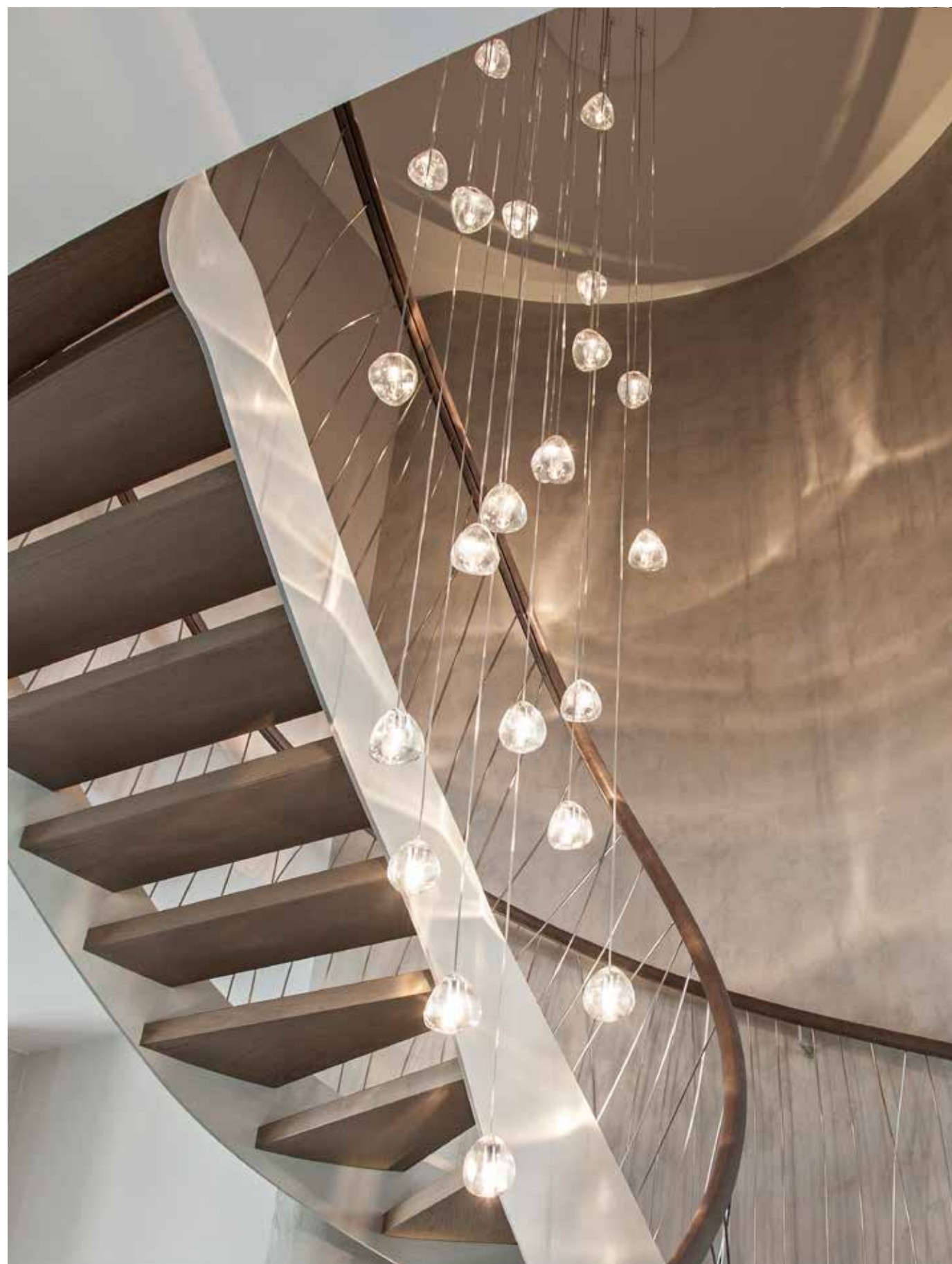






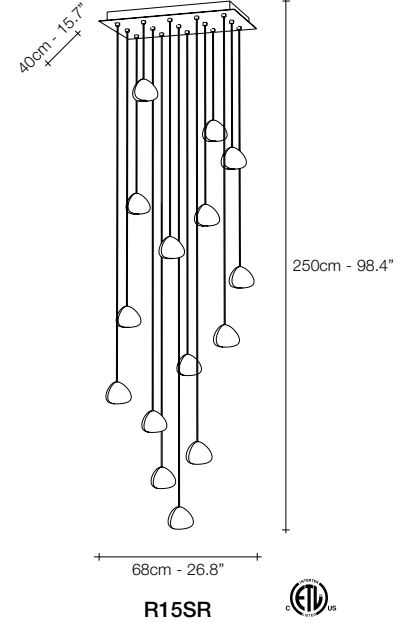
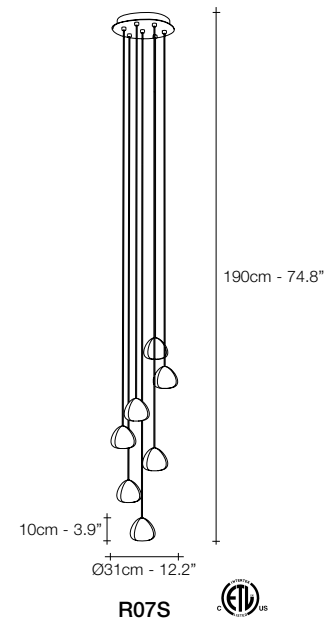
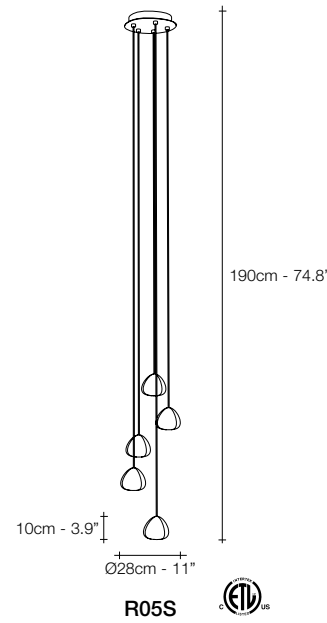
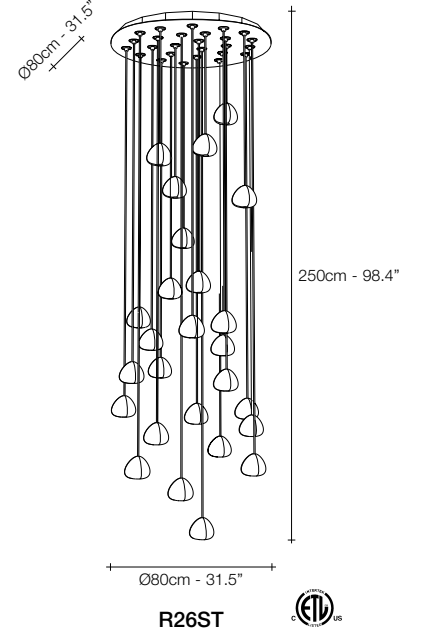
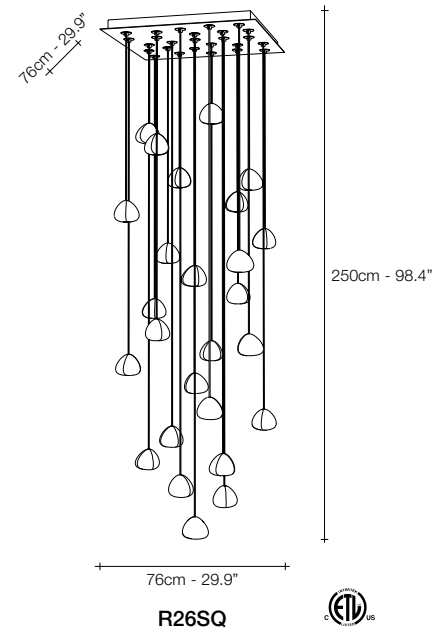
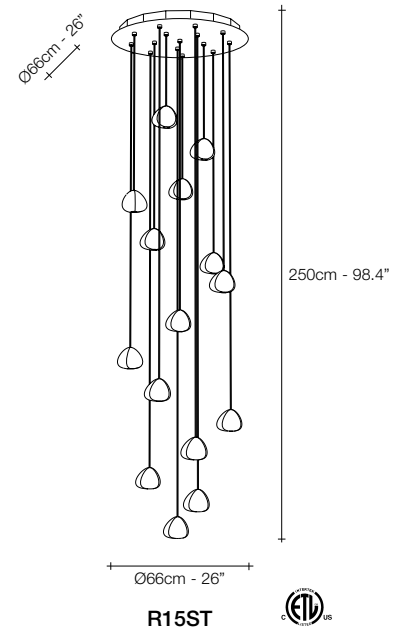
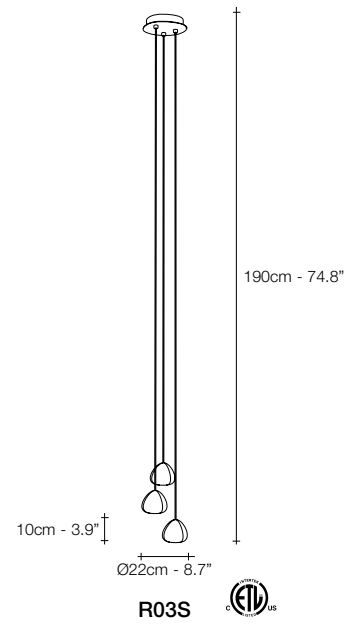
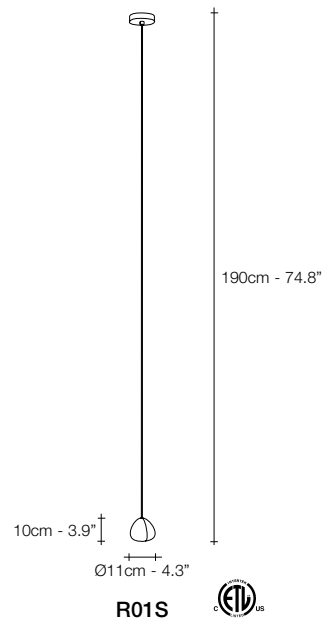
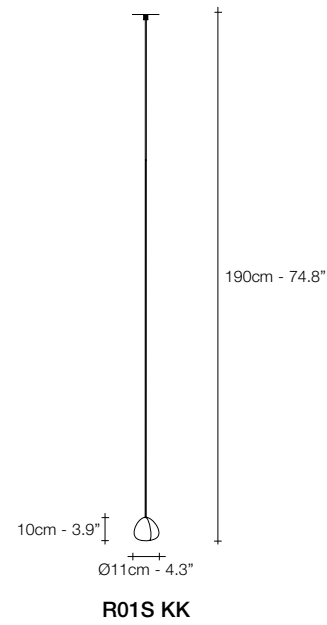
Clear











CRYSTAL



GOLD CRYSTAL



SILVER DUST CRYSTAL



CHAMPAGNE CRYSTAL



COGNAC CRYSTAL

	LIGHT SOURCES	R01S KK	R01S	R03S	R05S	R07S	R15SR	R15ST	R26SQ	R26ST
230V	G4 HALOGEN	10W	10W	3x10W	5x10W	7x10W	15x10W	15x10W	26x10W	26x10W
	G4 LED	2W	2W	3x2W	5x2W	7x2W	15x2W	15x2W	26x2W	26x2W
	INTEGRATED LED	1,5W	1,5W	3x1,5W	5x1,5W	7x1,5W	15x1,5W	15x1,5W	26x1,5W	26x1,5W
	Dimmer	IGBT 100K Ω 0/1-10V PUSH/DALI	IGBT TRIAC DALI	IGBT 1-10V PUSH/DALI	IGBT 0/1-10V 10V PWM PUSH/DALI	IGBT 0/1-10V PWM PUSH/DALI	IGBT 0/1-10V PUSH/DALI	IGBT 0/1-10V PWM PUSH/DALI	IGBT 0/1-10V PUSH/DALI	IGBT 0/1-10V PWM PUSH/DALI
120V	G4 XENON	10W	10W	3x10W	5x10W	7x10W	15x10W	15x10W	26x10W	26x10W
	G4 LED	2W	2W	3x2W	5x2W	7x2W	15x2W	15x2W	26x2W	26x2W
	Dimmer	IGBT TRIAC	IGBT TRIAC	IGBT TRIAC	IGBT TRIAC	IGBT TRIAC	IGBT TRIAC	IGBT TRIAC	IGBT TRIAC	IGBT TRIAC

Mizu can be manufactured to work with integrated LED 3000K or 2700K (not ETL). Different dimming options on request

Manta, Shimmering *Waves.*

Manta is the latest design featuring the distinctive crystal first unveiled in Nicolas Terzani's best-selling Mizu. Collaborating with designer Dodo Arslan, the two imaginative minds created a light featuring sinuous, undulating lines. The results are soft waves of crystal light reminiscent of being underwater. The innovative Manta is made of crystal, with a dimmable integrated LED lamp focused on maximizing the crystal's reflection. Manta's organic form is available in two sizes and can be installed in numerous, customizable arrangements. Design Dodo Arslan & Nicolas Terzani.

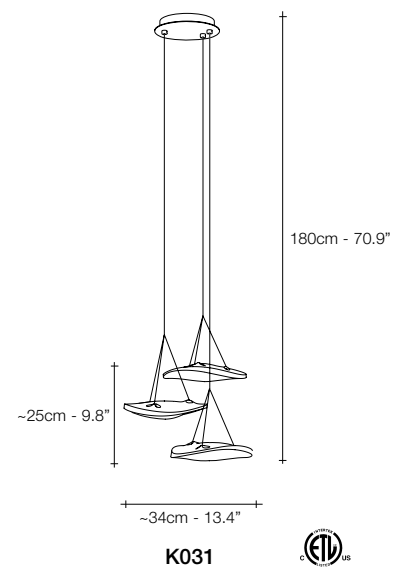
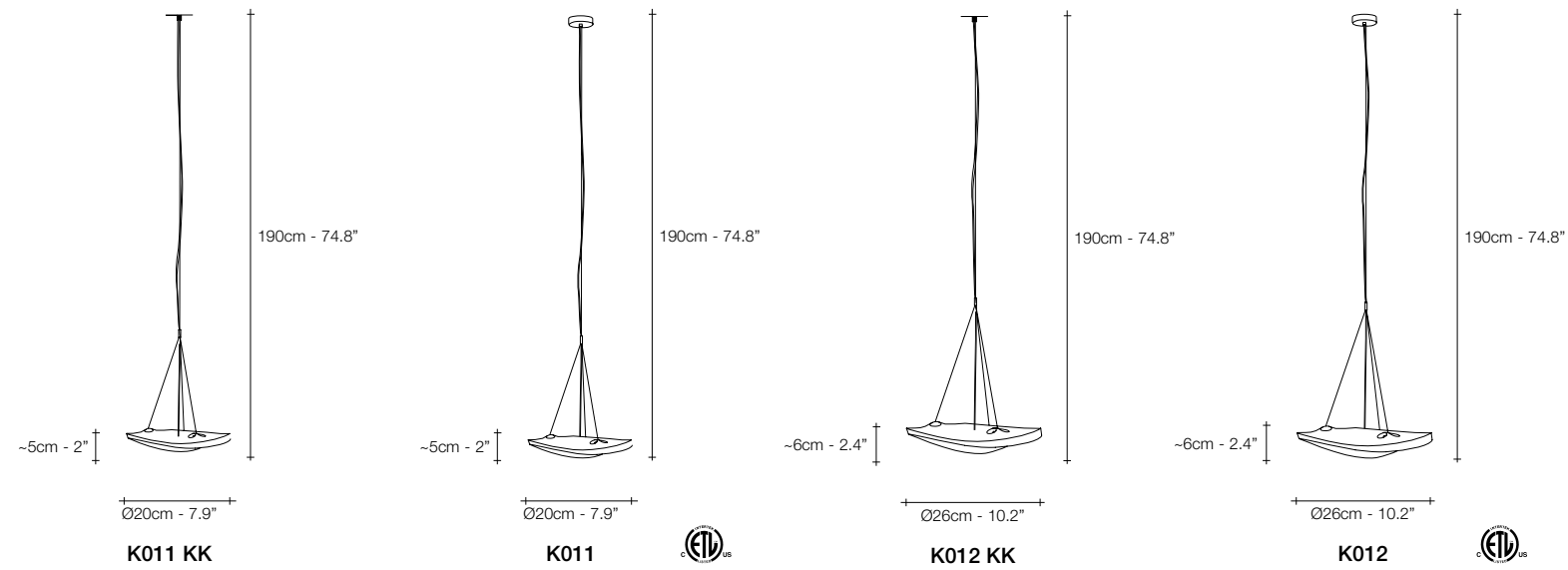












CLEAR CRYSTAL

	INTEGRATED LED	K011 KK	K011	K012 KK	K012	K031
230V	LED	1,5W 105lm	1,5W 105lm	1,5W 105lm	1,5W 105lm	3x1,5W 315lm
	Dimmer	0/1-10V PUSH/DALI	PUSH/DALI	1-10V PUSH/DALI	PUSH/DALI	1-10V PUSH/DALI
120V	LED	1,5W 105lm	1,5W 105lm	1,5W 105lm	1,5W 105lm	3x1,5W 315lm
	Dimmer	1-10V PUSH/DALI	no	1-10V PUSH/DALI	no	1-10V PUSH

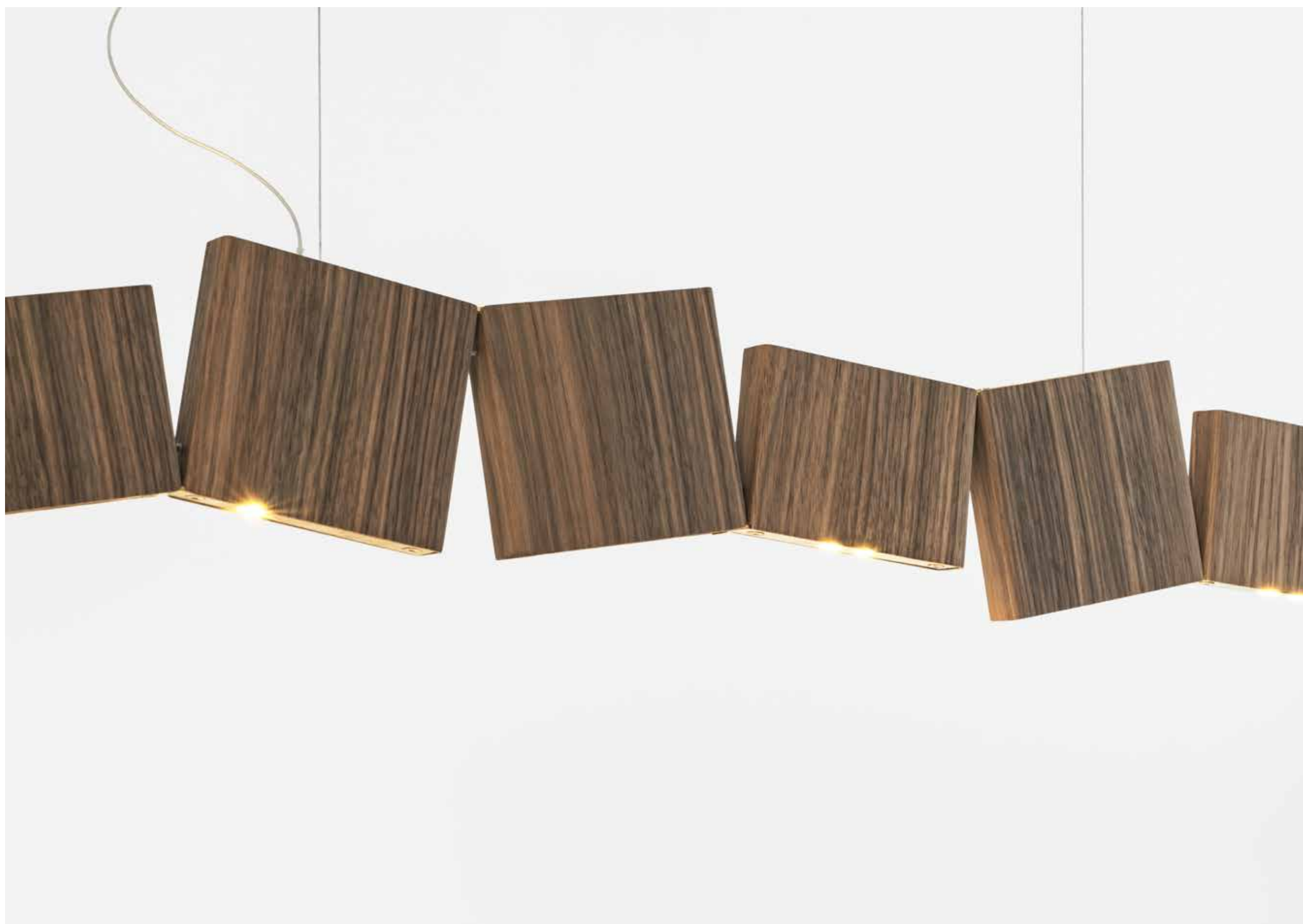
Manta can be manufactured to work with integrated LED 3000K or 2700K. Different dimming options on request.



Gaia, earth *mother.*

In Greek mythology, Gaia is the personification of the Earth and the mother of all life. Looking to capture the mythical and natural beauty of this Earth goddess, designer Jean-François Crochet has created the Gaia pendant light. Consisting of geometric frames of brass or raw metal reminiscent of the mountains Gaia created, the pendant uses led light to push light through the “cracks” formed. The resulting light creates a magical feeling, as if the lights peaking through were alive themselves. Available to custom configurations, Gaia adds a vibrancy and sacred light to any space. Design Jean-François Crochet.



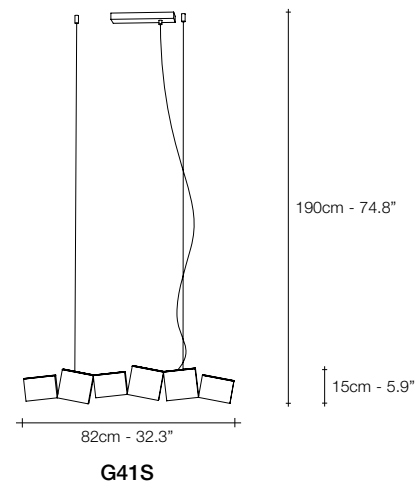
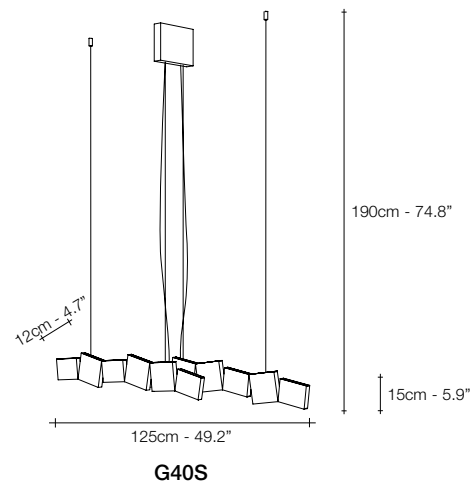




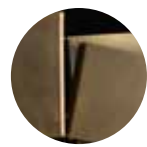








RAW METAL



BRASS





NICKEL



GOLD



MATT WOOD

INTEGRATED LED		G40S	G41S
230V		LED 24x1,5W 4320lm	LED 12x1,5W 2160lm
	Dimmer	0/1-10V PUSH/DALI	1-10V PUSH/DALI
120V		LED 24x1,5W 4320lm	LED 12x1,5W 2160lm
	Dimmer	0/1-10V PUSH/DALI	1-10V PUSH

Gaia can be manufactured to work with integrated LED 3000K or 2700K. Different dimming options on request

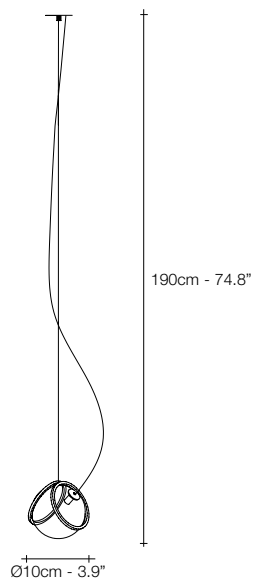


Pug, multum *in parvo.*

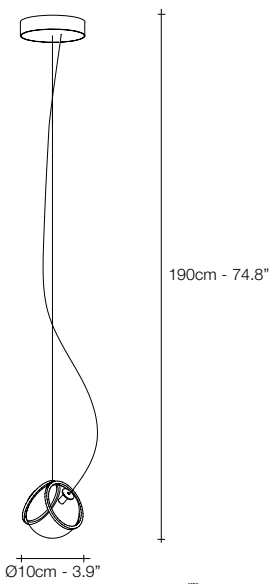
Pug is a dog described as “much in little”, referring to the greatness of his personalities despite his diminutive size. Inspired by the Pug’s charm, designer Jean-François Crochet created the Pug pendant light whose protruding spherical lights are reminiscent of a pug’s face. As with the breed, the Pug pendant packs significant charm and beauty into a small package. Illuminated by LED light, these glass pendants are framed by two brass bands. With Pug, it’s easy to bring a new best friend (or pack of friends) into a home. Available in clear/raw brass and satin white/polished brass. Design Jean-François Crochet.



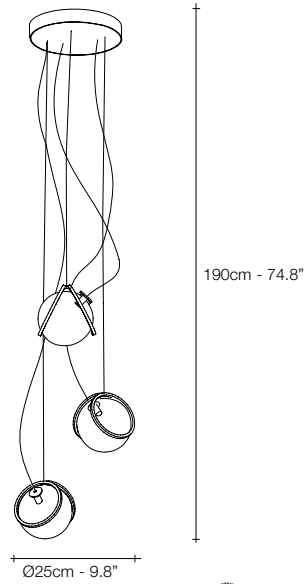




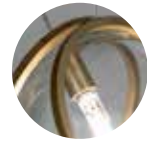
U01S KK



U01S



U03S



RAW BRASS
CLEAR GLASS



POLISHED BRASS
SATIN WHITE
GLASS

	RECOMMENDED BULB	U01S KK	U01S	U03S
230V	G4 LED 3000K	1,5W	1,5W	3x1,5W
	Dimmer	IGBT 100K Ω 0/1-10V PUSH/DALI	DALI	IGBT DALI
120V	G4 LED	1.5W	1.5W	3x1.5W
	Dimmer	IGBT TRIAC	no	IGBT TRIAC

Different dimming options on request

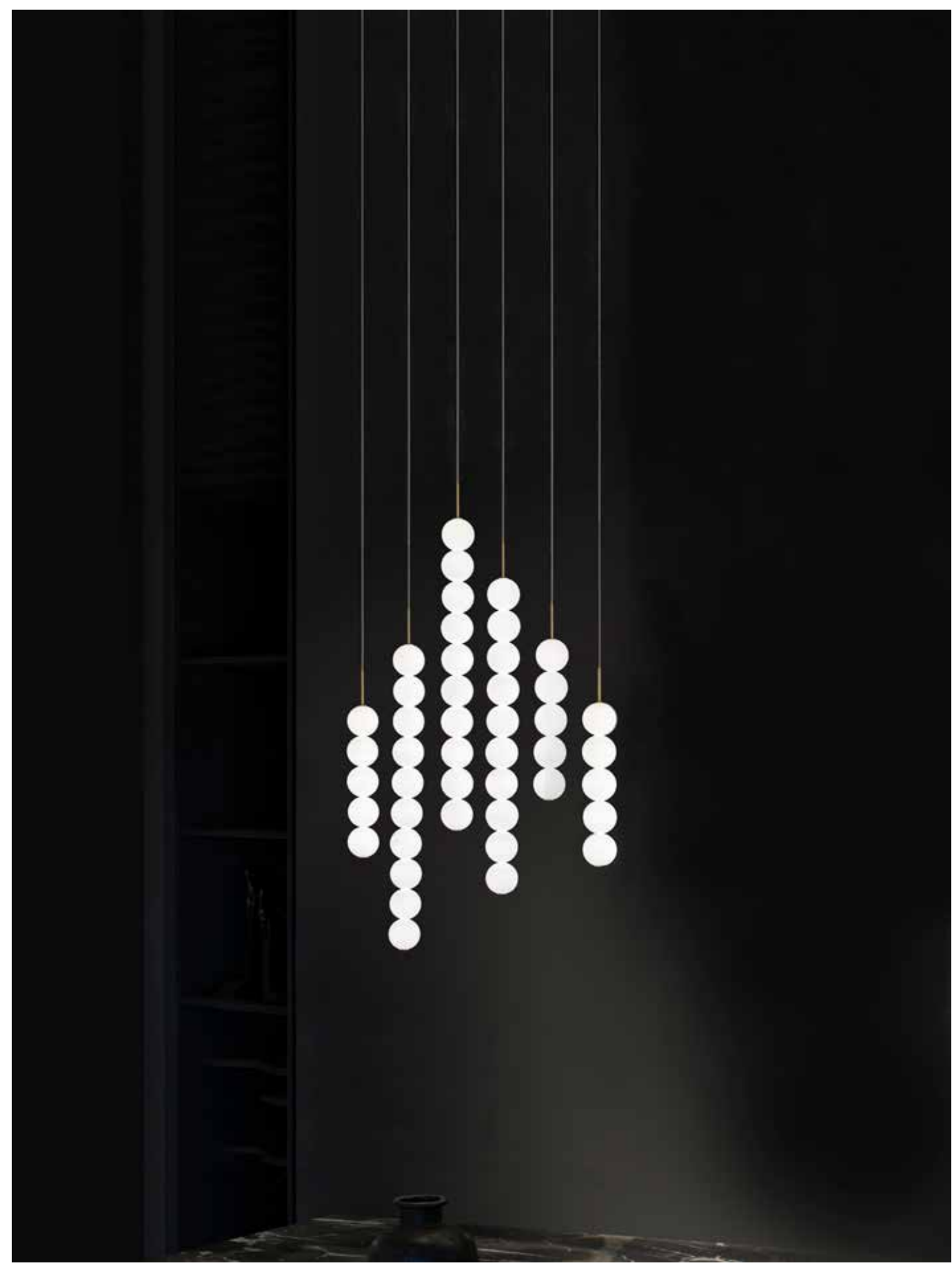


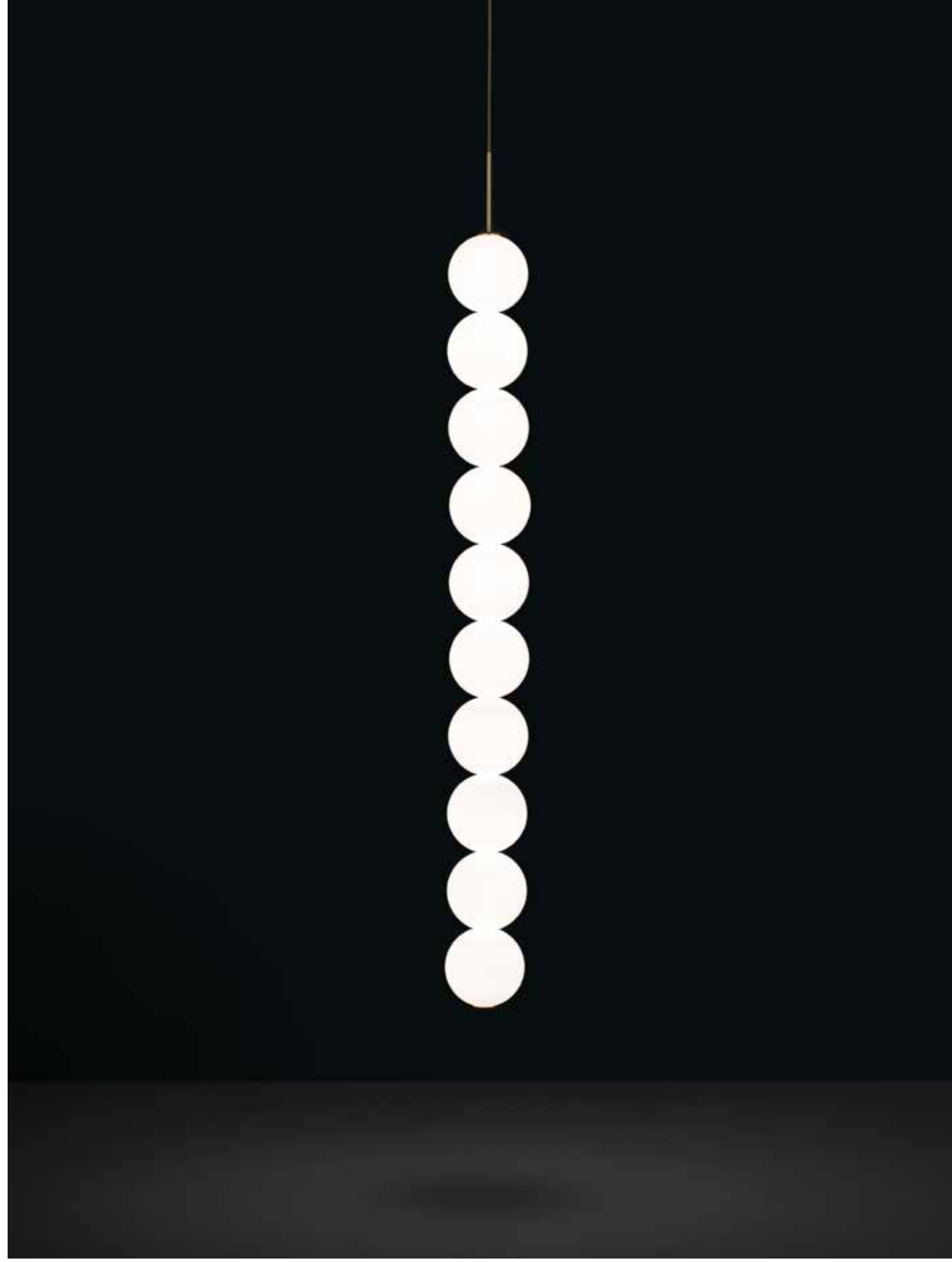
Abacus, multiplying *luminescence.*

Used for centuries as the tool to both teach and communicate mathematics, the abacus was found in one form or another across the ancient world. At Terzani, we saw the beauty in the abacus' mathematical purity and clean, functional design. In the hands of Terzani's craftsmen, we've turned this inspiration into a new collection of modular pendant lamps whose flexibility allows for complex and beautiful configurations. Each module, or strand, of Abacus contains a custom set of round, hand-blown opal glass which emit a soft and uniform light. And, as the original abacus was used to calculate everything from simple addition to complex formulas, we've retained the same scalability. Due to its customization, our Abacus light is just as suitable in a home as a commercial space, and its almost infinite configurations makes sure you always come up with the right solution. Design Draw.

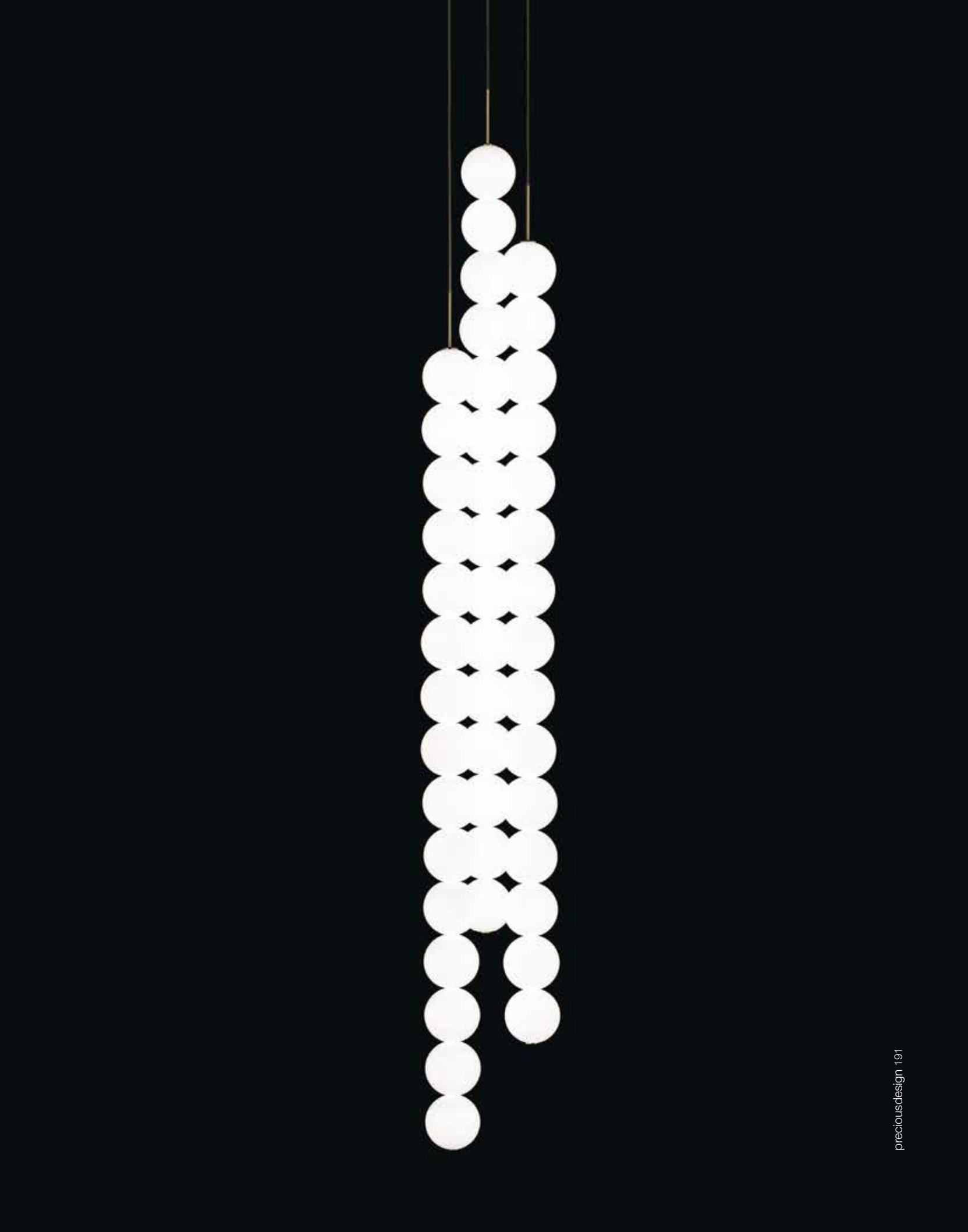
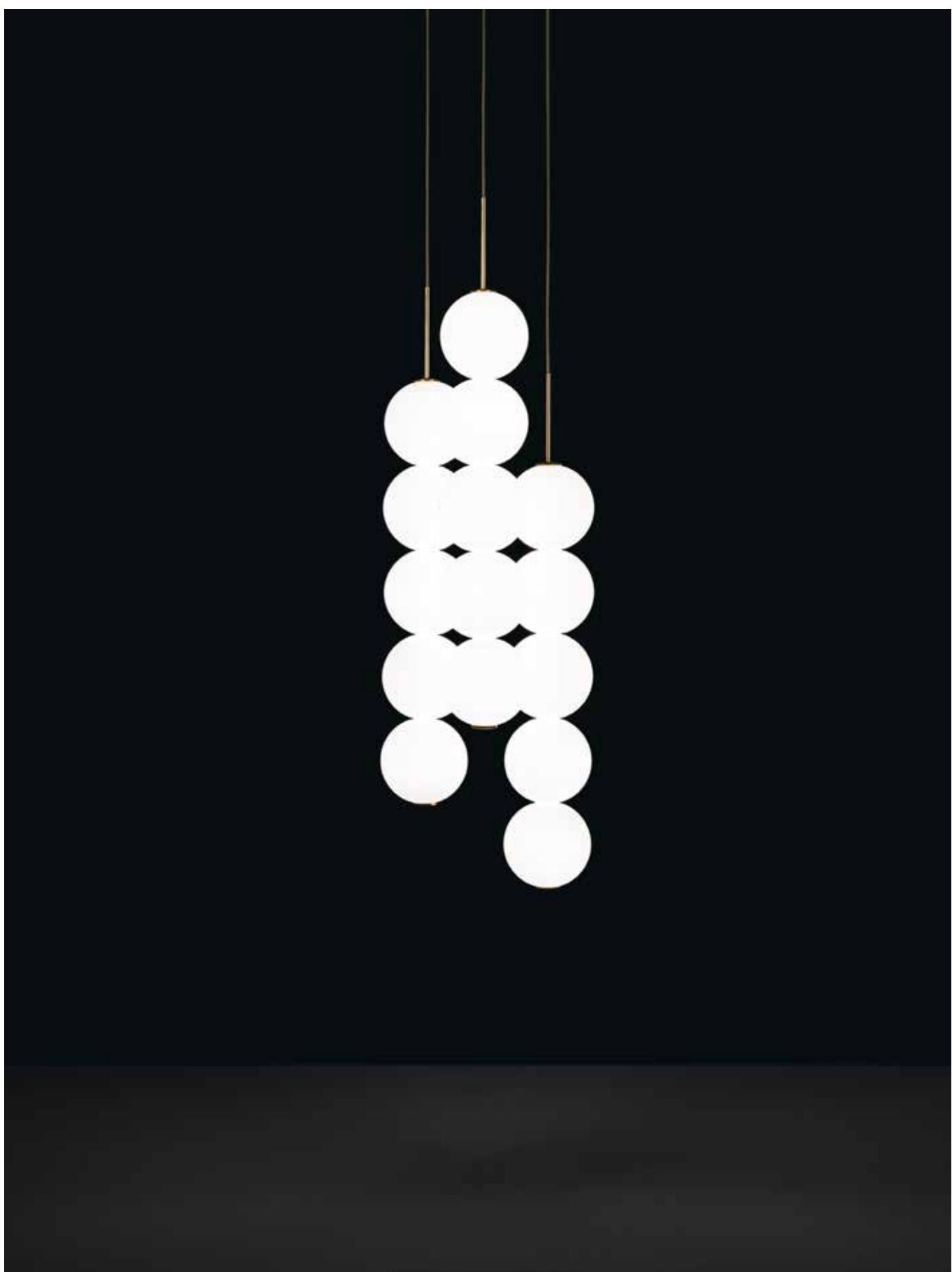


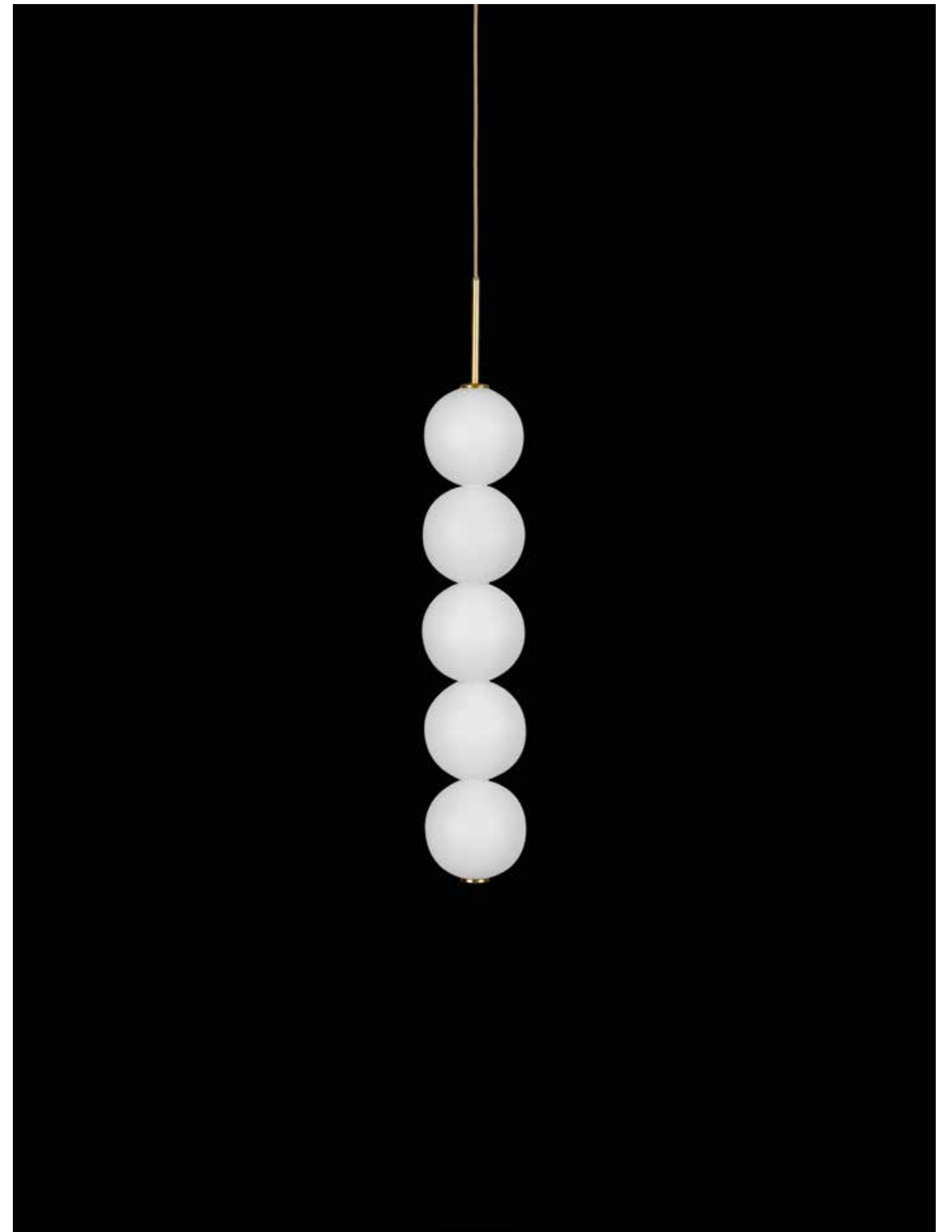
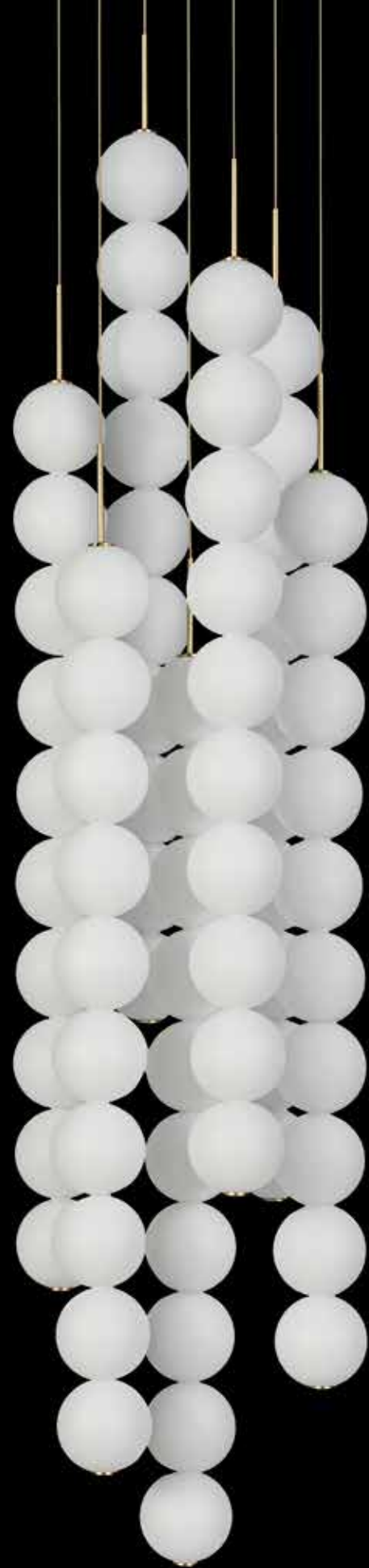




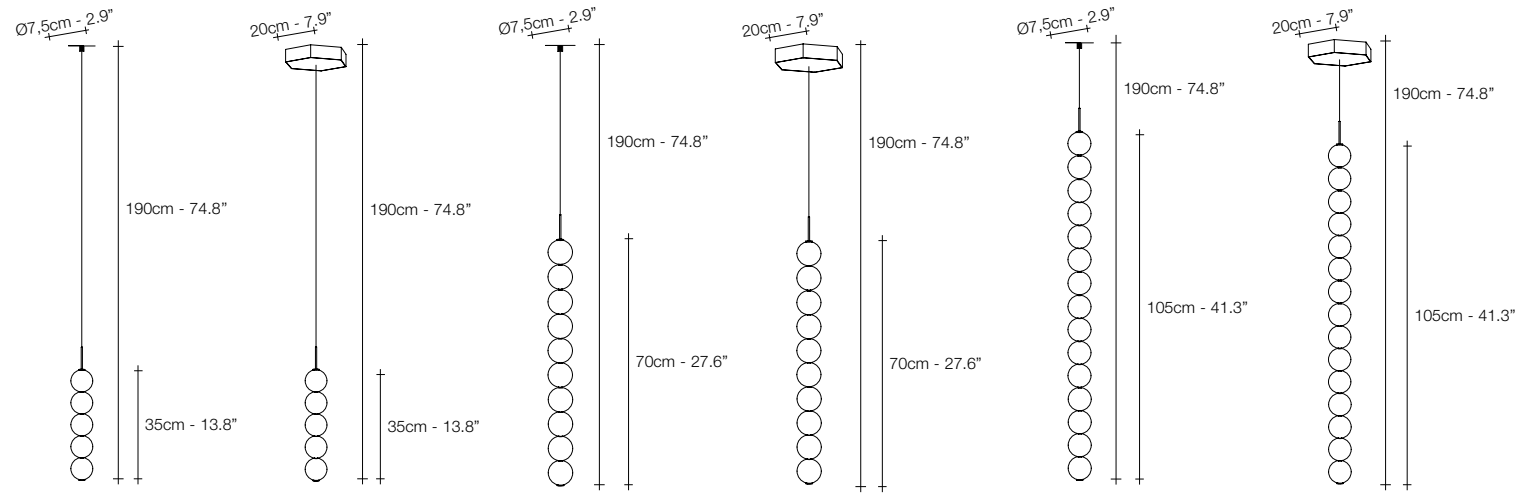




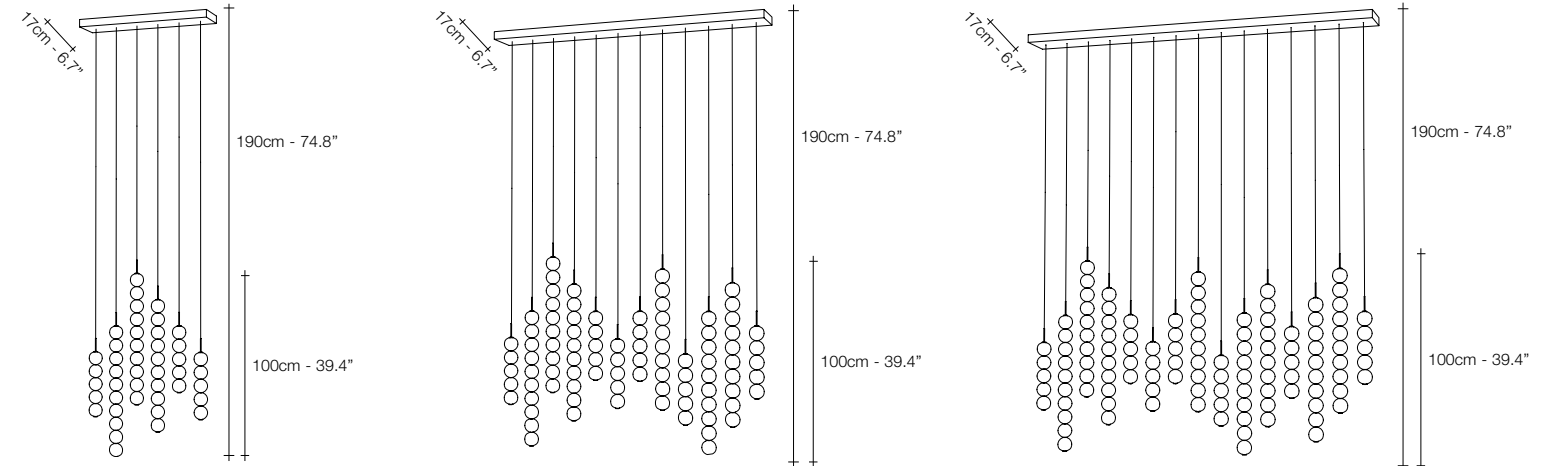




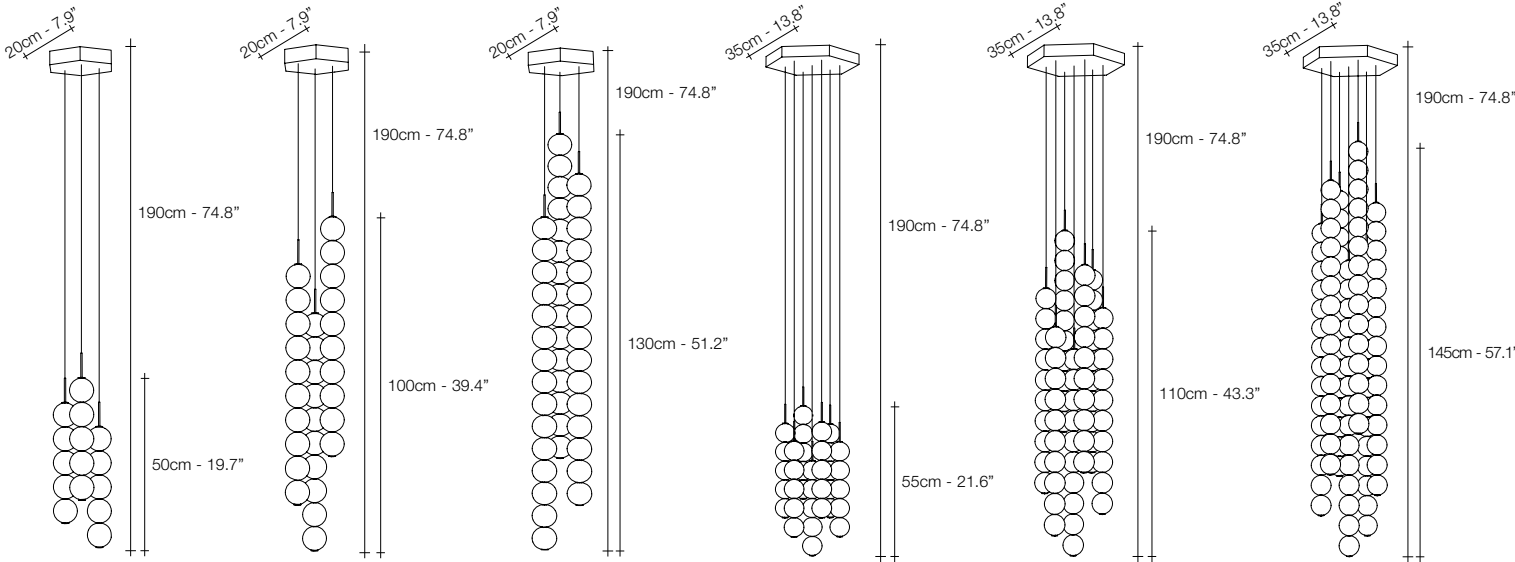




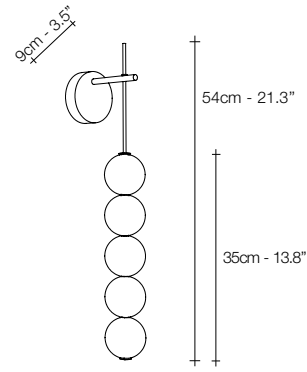
V01S 15KK 5 spheres
V01S P15 5 spheres
V01S 1AKK 10 spheres
V01S P1A 10 spheres
V01S 1FKK 15 spheres
V01S P1F 15 spheres



V06S R2B 3x5 - 3x10 spheres
V12S R3M 6x5 - 6x10 spheres
V15S R4D 7x5 - 8x10 spheres

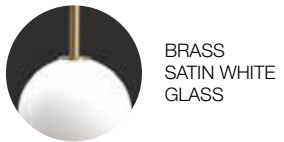


V03S P1F 3x5 spheres
V03S P1V 3x10 spheres
V03S P2B 3x15 spheres
V07S P21 7x5 spheres
V07S P32 7x10 spheres
V07S P43 7x15 spheres



V01A 15
 5 spheres

N/A in North America



BRASS
SATIN WHITE
GLASS

	INTEGRATED LED	V01S 15KK	V01S P15	V01S 1AKK	V01S P1A	V01S 1FKK	V01S P1F	V03S P1F	V03S P1V	V03S P2B	V07S P21	V07S P32	V07S P43
230V	LED BOARD 3000K	3,6W 540lm	3,6W 540lm	7,2W 1080lm	7,2W 1080lm	10,8W 1620lm	10,8W 1620lm	3 x 3,6W 3240lm	3 x 7,2W 3240lm	3x10,8W 4860lm	7 x 3,6W 3780lm	7 x 7,2W 7560lm	7 x 10,8W 11340lm
	Dimmer	0/1-10V PWM 100K Ω PUSH/DALI	0/1-10V PWM 100K Ω PUSH/DALI	0/1-10V PWM 100K Ω PUSH/DALI	0/1-10V PWM 100K Ω PUSH/DALI	0/1-10V PWM 100K Ω PUSH/DALI	0/1-10V PWM 100K Ω PUSH/DALI	0/1-10V PWM 100K Ω PUSH/DALI	0/1-10V PWM 100K Ω PUSH/DALI	0/1-10V PWM 100K Ω PUSH/DALI	0/1-10V PWM 100K Ω PUSH/DALI	0/1-10V PWM 100K Ω PUSH/DALI	0/1-10V PWM 100K Ω PUSH/DALI
120V	LED BOARD 3000K	3,6W 540lm	3,6W 540lm	7,2W 1080lm	7,2W 1080lm	10,8W 1620lm	10,8W 1620lm	3 x 3,6W 1620lm	3 x 7,2W 3240lm	3 x 10,8W 4860lm	7 x 3,6W 3780lm	7 x 7,2W 7560lm	7 x 10,8W 11340lm
	Dimmer	0-10V PWM	0-10V PWM	0-10V PWM	0-10V PWM	0-10V PWM	0-10V PWM	0-10V PWM	0-10V PWM	0-10V PWM	0-10V PWM	0-10V PWM	0-10V PWM

Different dimming options on request

	INTEGRATED LED	V06S R2B	V12S R3M	V15S R4D	V01A 15
230V	LED BOARD 3000K	3 x 3,6W 3 x 7,2W 4860lm	6 x 3,6W 6 x 7,2W 9720lm	7 x 3,6W 8 x 7,2W 12420lm	3,6W 540lm
	Dimmer	0/1-10V PWM 100K Ω PUSH/DALI	0/1-10V PWM 100K Ω PUSH/DALI	0/1-10V PWM 100K Ω PUSH/DALI	1-10V PUSH
120V	LED BOARD 3000K	3 x 3,6W 3 x 7,2W 4860lm	6 x 3,6W 6 x 7,2W 9720lm	7 x 3,6W 8 x 7,2W 12420lm	-
	Dimmer	0-10V PWM	0-10V PWM	0-10V PWM	-

Different dimming options on request

Oscar, *a tribute.*

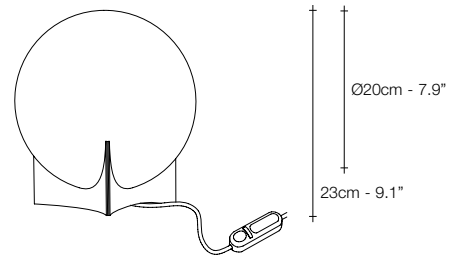
The great Brazilian architect Oscar Niemeyer once said about his work: "It's not the right angle that attracts me, nor the straight line. Stiff, inflexible, created by men. What really attracts me is the free, sensual curve. The curve I see on the sinuous course of our rivers, on the clouds in the sky, on your favorite woman's body. The universe is entirely made of curves". Inspired to pay tribute to one of the founders of modern architecture, designer Dodo Arslan has created a series of lights named "Oscar", which pay homage through their adoption of Niemeyer's signature sensuous curves. Oscar table lamp consists of a glass orb delicately held by curved brass. Available in nickel, brass, black, white, gold plated and rose gold finish. Design Dodo Arslan.











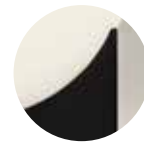
C02B



NICKEL
SATIN WHITE
GLASS



BRASS
SATIN WHITE
GLASS



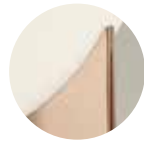
BLACK
SATIN WHITE
GLASS



WHITE
SATIN WHITE
GLASS





GOLD
SATIN WHITE
GLASS



ROSE GOLD
SATIN WHITE
GLASS

RECOMMENDED BULB C02B

230V  **E14 LED** | 7W
Dimmer | integrated

120V  **E12 LED** | 7W
Dimmer | integrated



Moiré, movement *with pattern.*

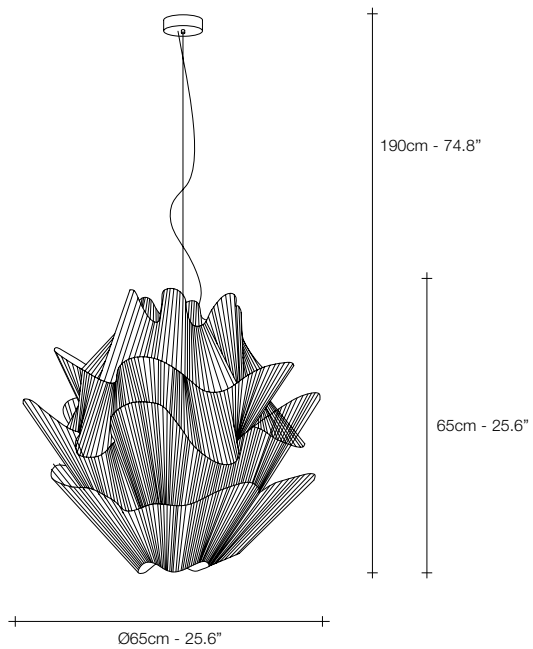
A French term derived from silk with a rippled or “watered” appearance, moiré is an optical effect that results in the illusion of waves or the movement of water. This effect is achieved by having an opaque, ruled pattern overlaid over another. Designer Christian Lava’s studies of this effect have led to his latest design aptly titled, Moiré. Using overlapping grids of metal, this LED pendant light dynamically changes shape following the viewer’s gaze, practically coming to life with a vibrating energy. Moiré is a mesmerizing addition to any room. Available in gold plated and nickel finish. Design Christian Lava.



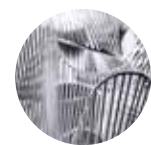








M10S



NICKEL



GOLD

INTEGRATED LED

M10S

230V



COB LED
3000K

15W
1950lm

Dimmer

1-10V
PUSH/DALI

120V



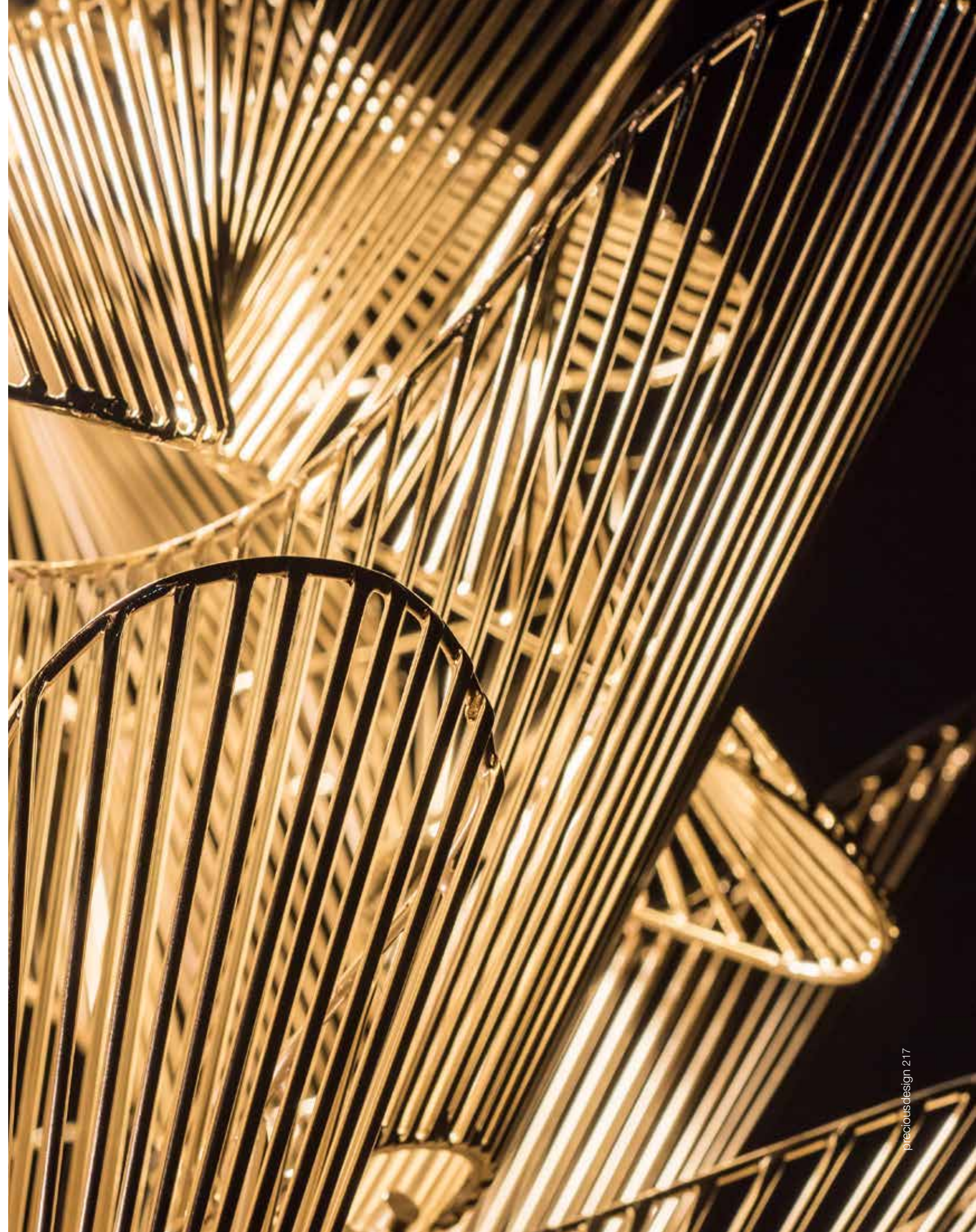
COB LED
3000K

15W
1950lm

Dimmer

1-10V
PUSH/DALI

Different dimming options on request



Doodle, Freehand *Design.*

We no longer march in a straight line. Our lives are dynamic, intertwining collections of relationships, experiences and journeys. Reflecting the fluidity of our generation, designer Simone Micheli has created a new, contemporary light for Terzani, Doodle. Like us, each Doodle is unique, each pendant is handcrafted by artisans to resemble a randomised path. And, to give us control over the journey we want to take, each LED bulb can be placed anywhere on the light, not only reflecting the choices we make in life, but giving Doodle a special flexibility. Design Simone Micheli.





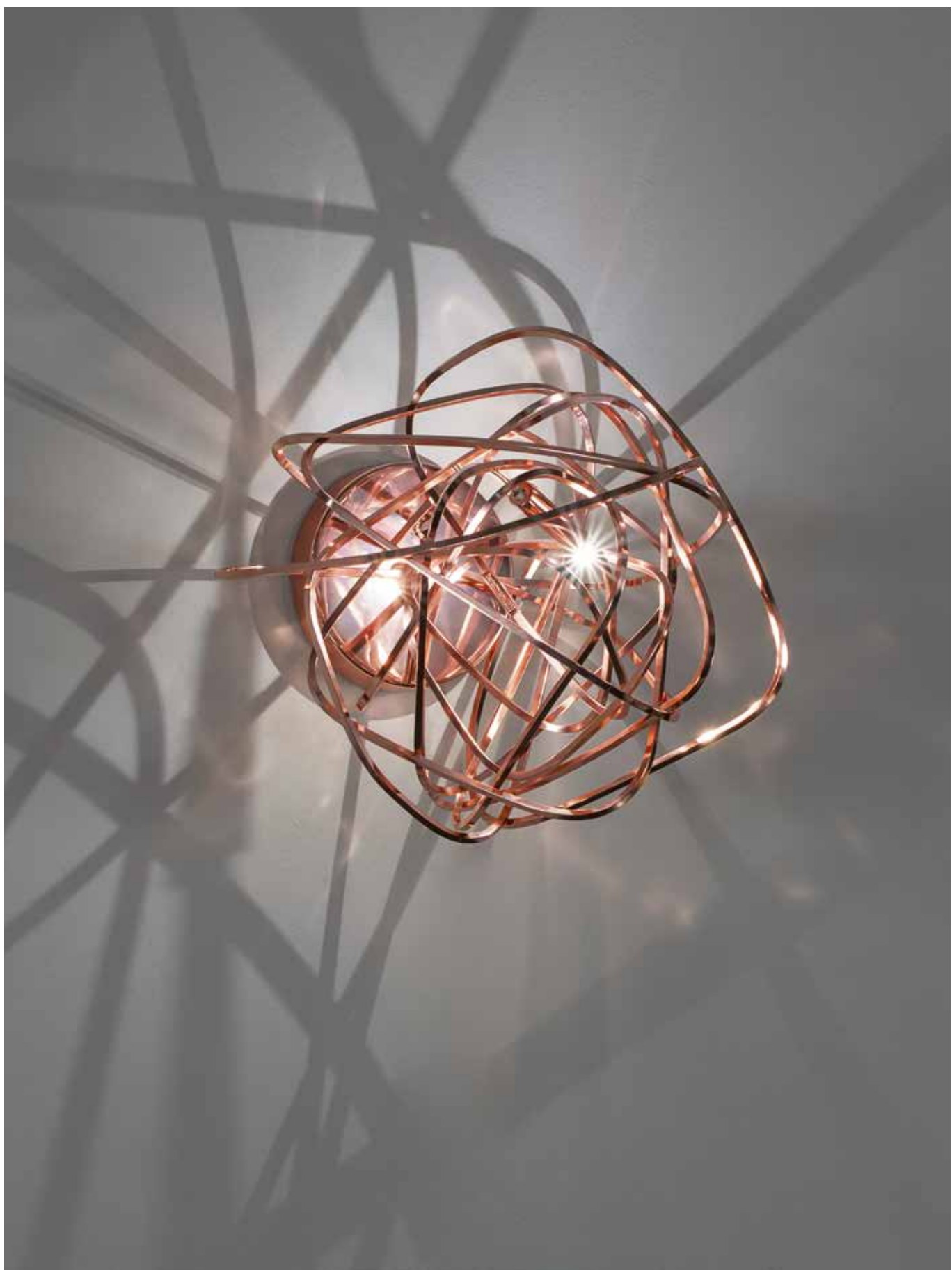


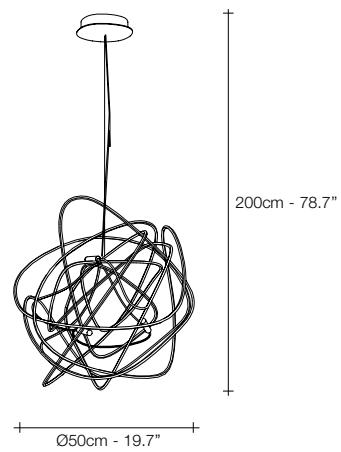




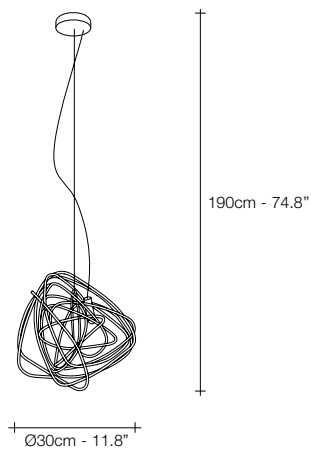




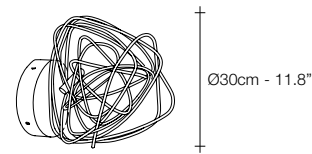




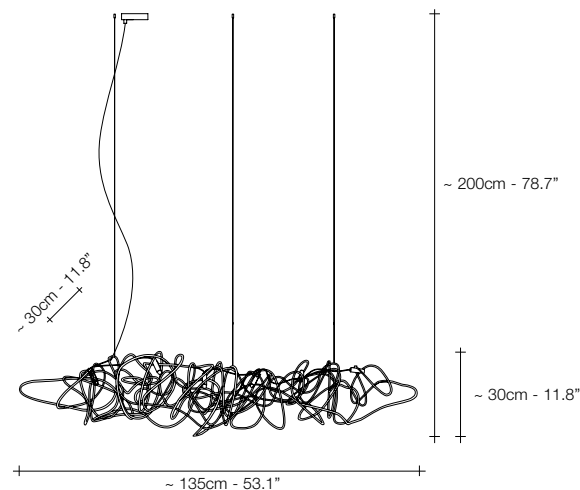
J93S



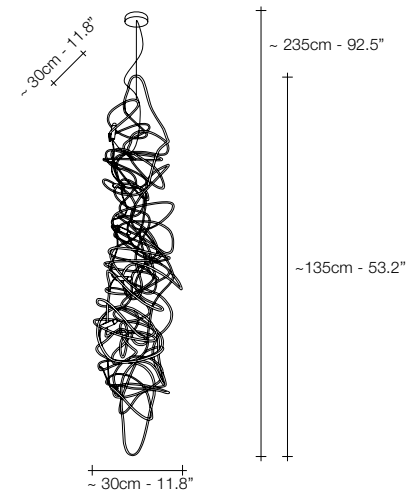
J80S



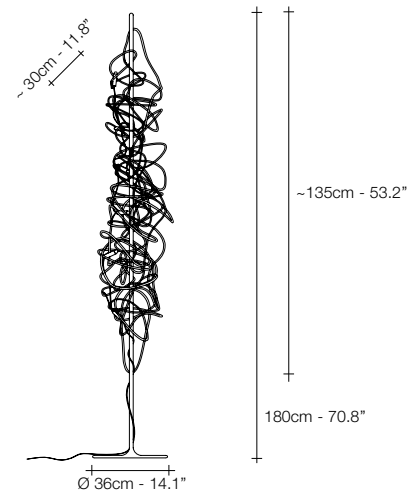
J82A



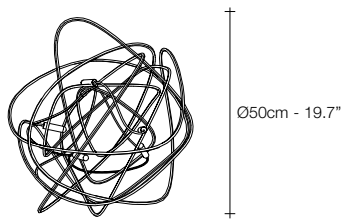
J81S



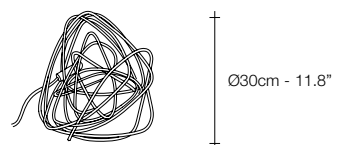
J87S



J86P



J89P



J84B



NICKEL



BLACK AMETHYST



GOLD



COPPER

	RECOMMENDED BULB	J80S	J81S	J82A	J84B	J86P	J87S	J89P	J93S
230V	G4 LED 2700K	2W	6x2W 2W	2W	2W	6x1,2W 1,2W	6x2W 2W	5x1,2W 1,2W	5x2W 2W
	Dimmer	0/1-10V 100K Ω PUSH/DALI	IGBT DALI	0/1-10V 100K Ω PUSH/DALI	no	no	IGBT DALI	no	IGBT DALI
120V	G4 LED	2W	6x2W	2W	-	-	6x2W	-	5x2W
	Dimmer	no	IGBT TRIAC	no	-	-	IGBT TRIAC	-	IGBT TRIAC

Different dimming options on request



I Lucci Argentati, School of *Light.*

I Lucci Argentati draws from nature to create a whimsical, yet modern light. Recalling a school of fish darting through freshwater, it creates a mesmerizing luminescence. Sets of sleek lights combine to form a stunning pendant with thin incisions along the bottom creating an understated, tranquil beauty. Thanks to its modular system, I Lucci Argentati is customizable and can be combined in many different configurations: from small to extra large; as a pendant or sconce; and finished either in brushed nickel or white. Design Dodo Arslan.





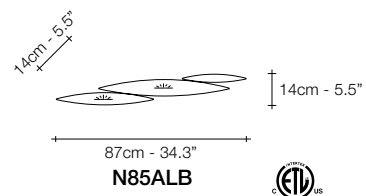
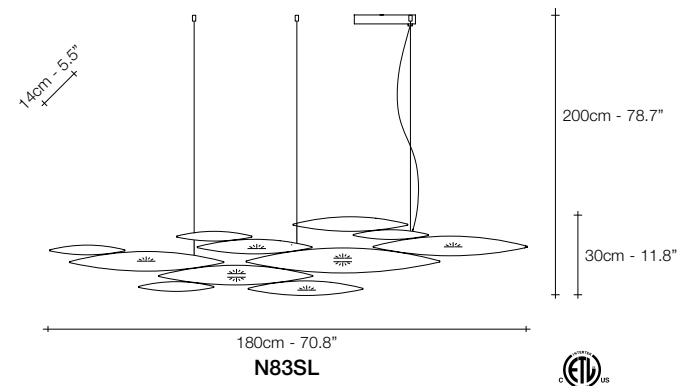
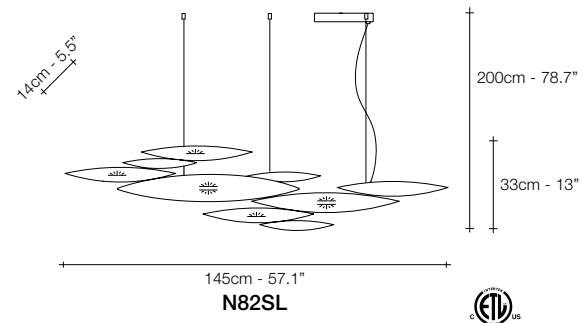
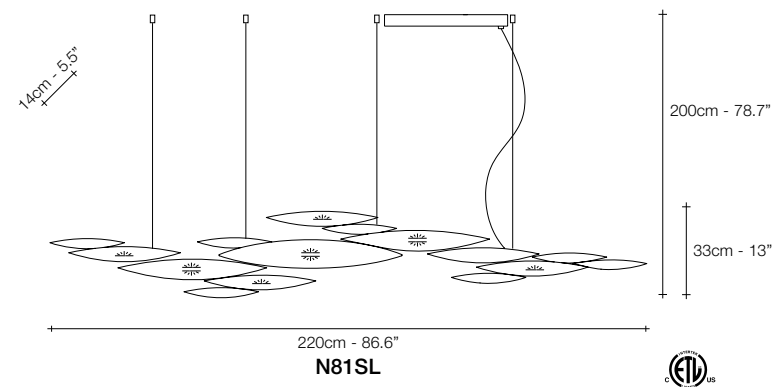
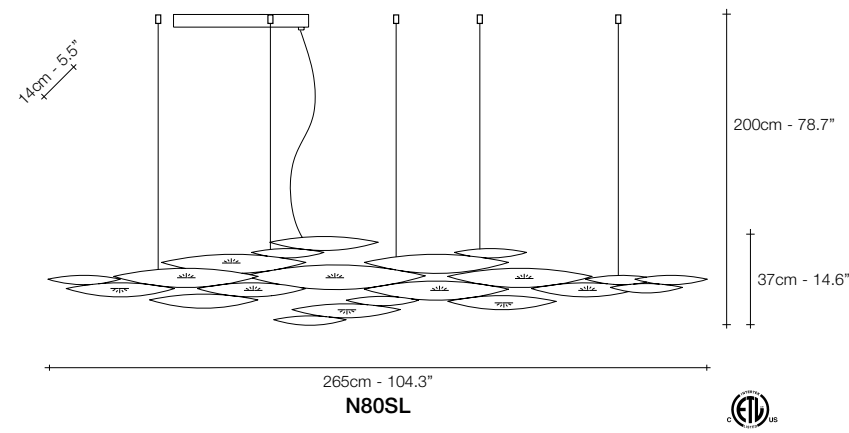




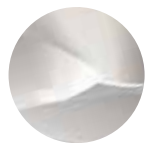








BRUSHED
NICKEL



WHITE



BRUSHED
GOLD

	INTEGRATED LED	N80SL	N81SL	N82SL	N83SL	N85ALB
230V	LED BOARD	10x4,5W 5300lm	10x4,5W 5300lm	7x4,5W 3710lm	8x4,5W 4240lm	2x4,5W 1060lm
	Dimmer	0-10V PUSH/DALI	0-10V PUSH/DALI	0/1-10V PUSH/DALI	1-10V PUSH/DALI	0/1-10V PUSH/DALI
120V	LED BOARD	10x4,5W 5300lm	10x4,5W 5300lm	7x4,5W 3710lm	8x4,5W 4240lm	2x4,5W 1060lm
	Dimmer	1-10V	1-10V	1-10V PUSH/DALI	1-10V PUSH/DALI	no

I Lucci Argentati can be manufactured to work with integrated LED 3000K or 2700K. Different dimming options on request.

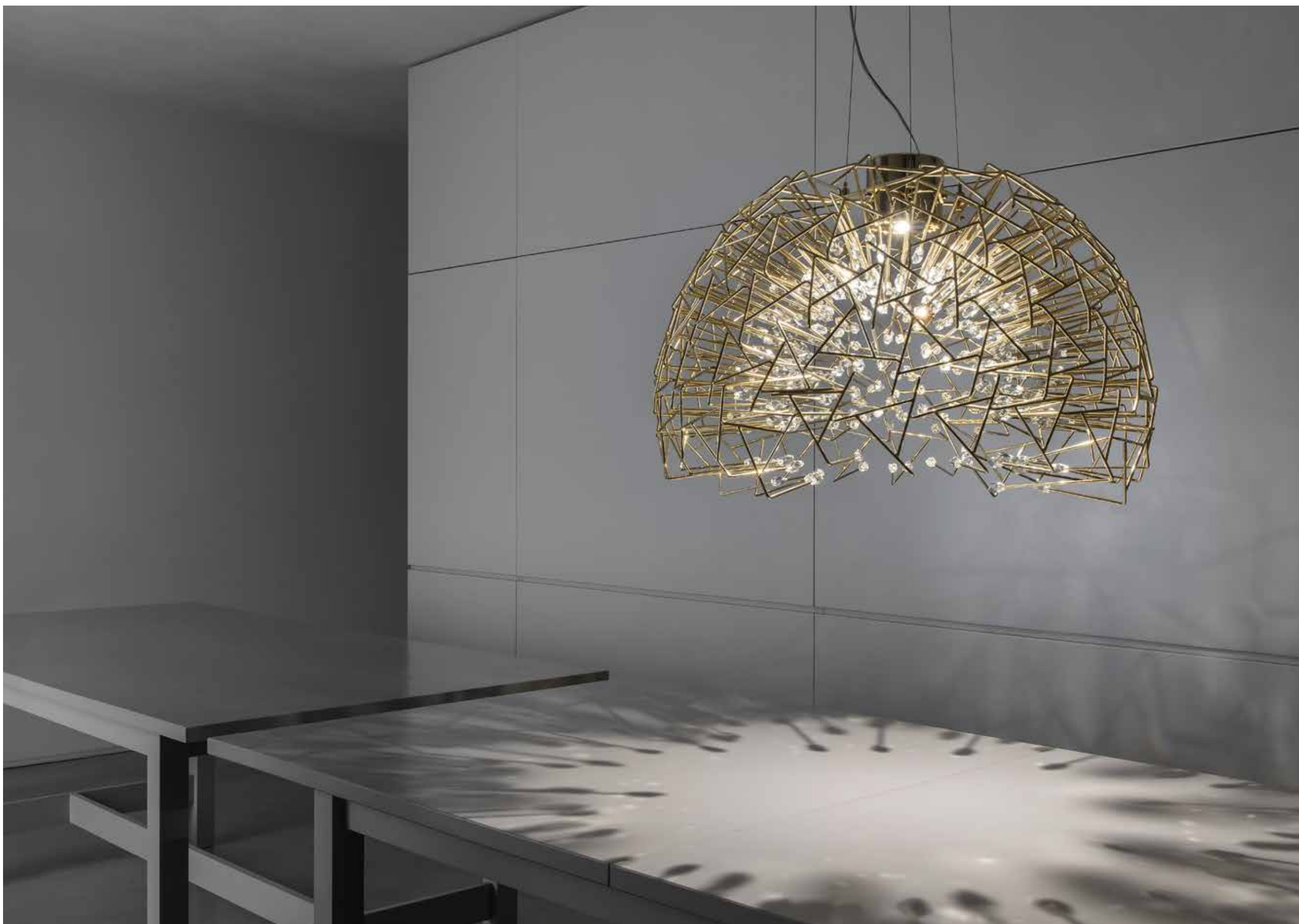


Core, Eruption *of Light.*

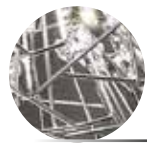
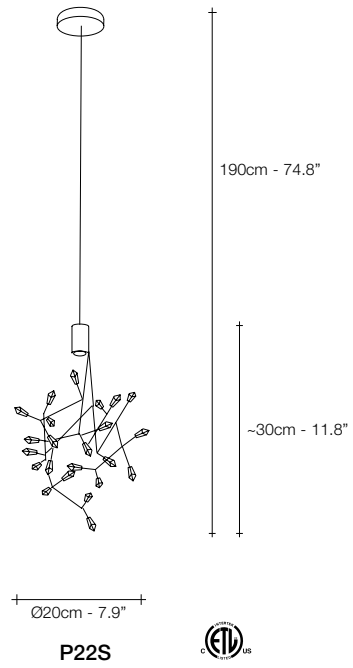
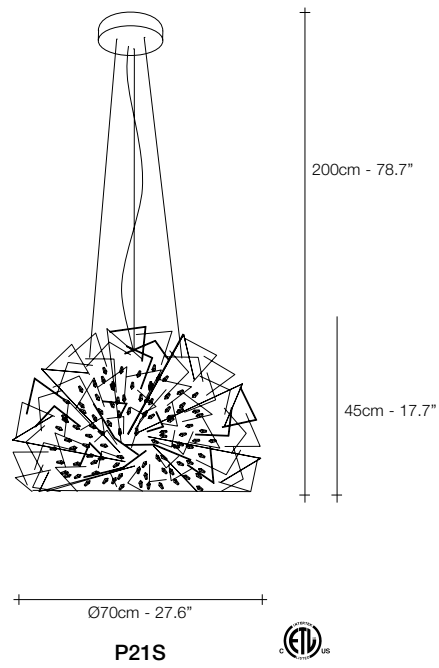
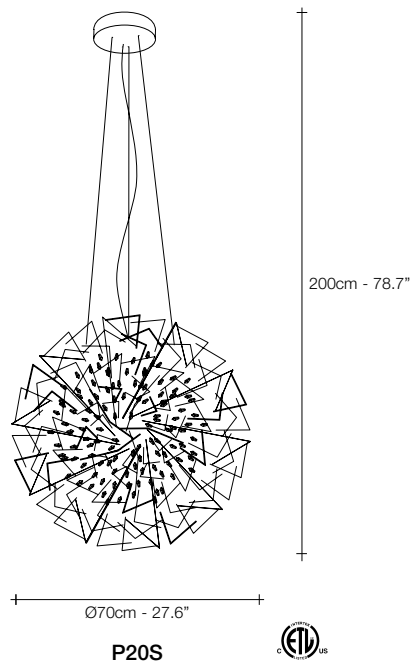
Core is reminiscent of the natural energy at the heart of our world. Like bright lava seeping through the earth's crust, vibrant spheres of faceted crystal break through the iron surface of this pendant. Forcing light to pass through this metal structure results in a powerful, vibrant exchange of forces light and shadow erupt across the room, as the light pours through, as the light itself emits an organic radiance. Design Christian Lava.







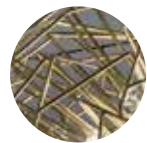




NICKEL CLEAR



BLACK NICKEL CLEAR



GOLD

INTEGRATED LED		P20S	P21S	INTEGRATED LED		P22S
230V	COB LED CRI 90	18W 1640lm	18W 1640lm	230V	LED	2.1W 240lm
	Dimmer	0/1-10V PUSH/DALI	0/1-10V PUSH/DALI		Dimmer	no
120V	COB LED CRI 90	18W 1640lm	18W 1640lm	120V	LED	2.1W 240lm
	Dimmer	1-10V PUSH	1-10V PUSH		Dimmer	no

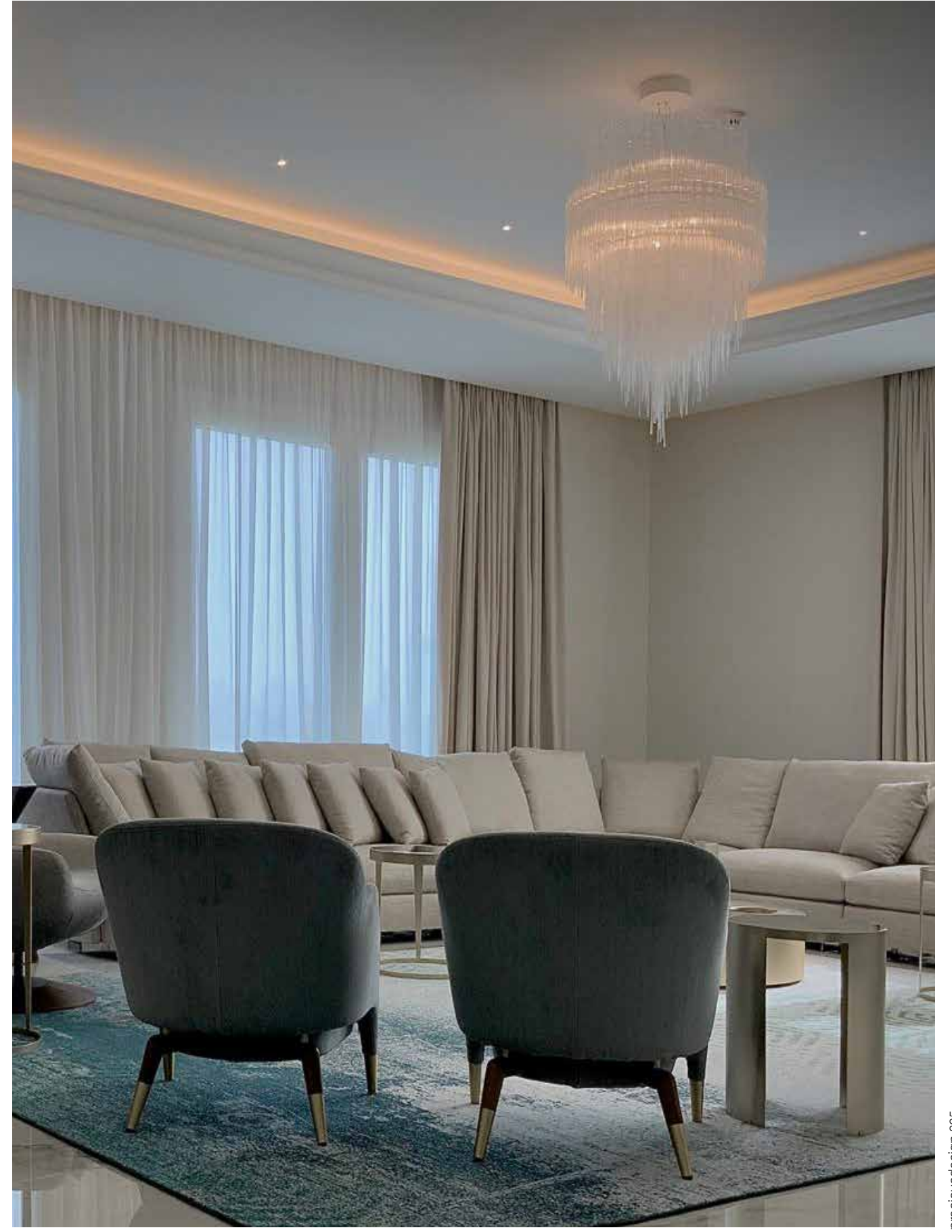
Core can be manufactured to work with 3000K or 2700K LED. Different dimming options on request

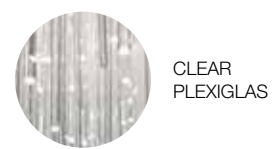
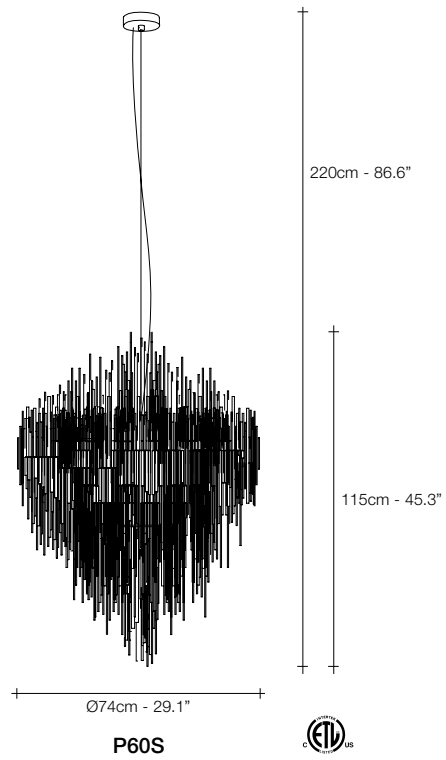


Iceberg, Pure *Light.*

Inspired by the natural beauty of ice crystals, this new suspension light creates a spectacular, luminous piece through the use of over 3600 plexyglass tubes. Similar to light refracting through water, the illumination created by Iceberg is both brilliant and natural, meticulously handcrafted, each light is a unique sculpture; sparkling, multifaceted and powerful. Design Dodo Arslan.







RECOMMENDED BULB		P60S
230V	E14 LED	6x6W
	E27 LED	8W
Dimmable with all systems		-
120V	E12 LED	6x5.5W
	E26 LED	8W
Dimmable with all systems		-

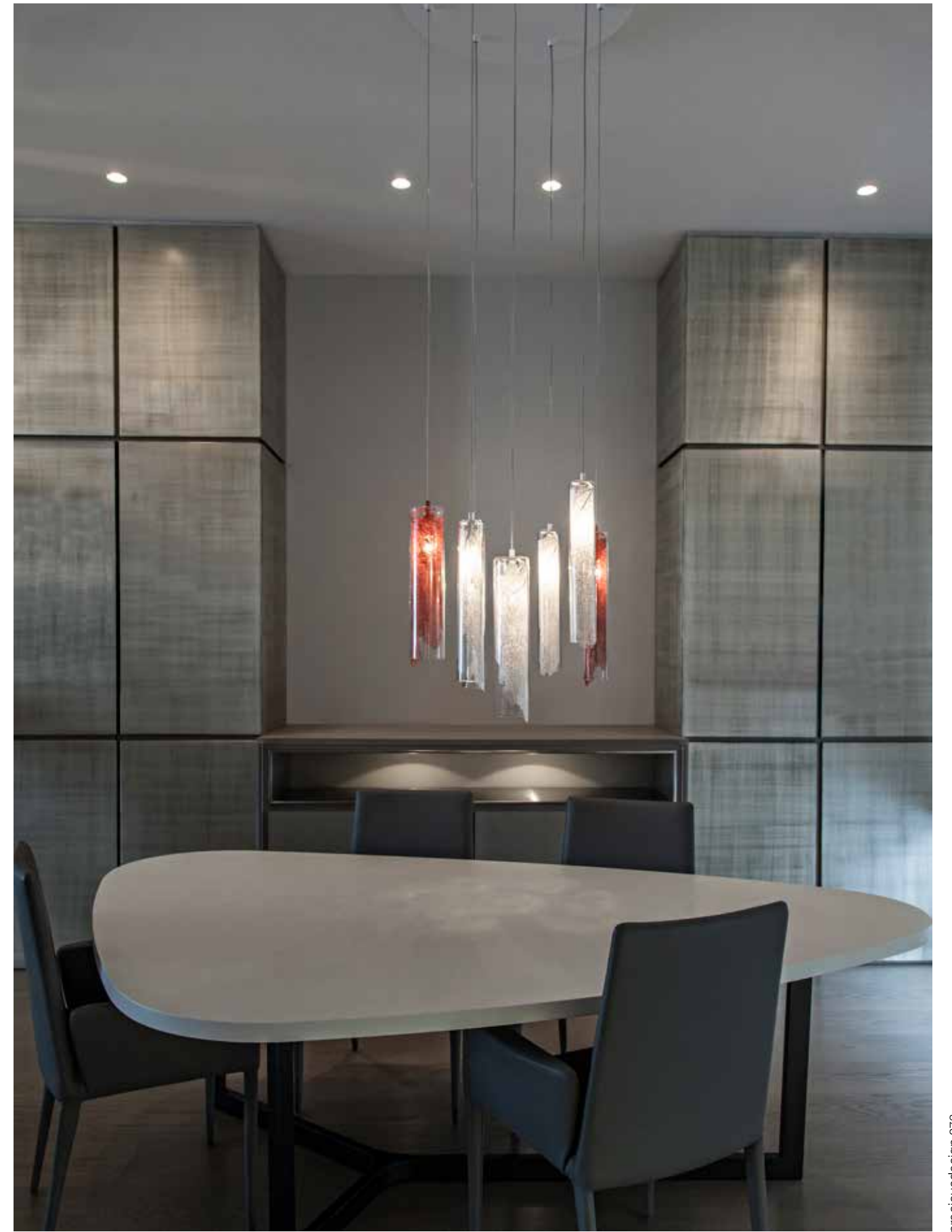
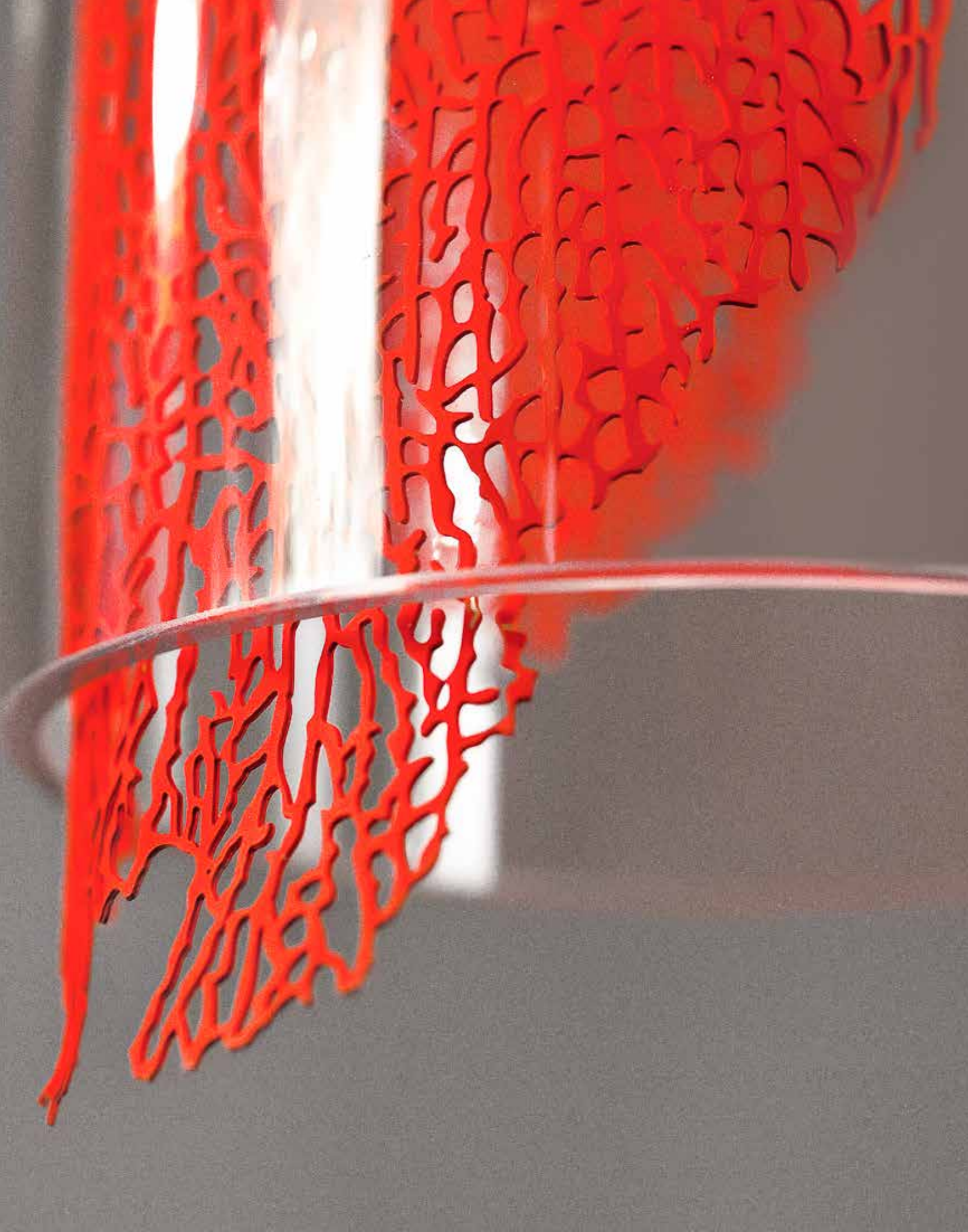


Frame, Nature's *Imprint.*

Capturing a moment in time, Frame features a metal coral leaf, enclosed inside a borosilicate glass preserving a delicate imprint of nature. Hidden inside is a single bulb which glows from within. Creating a stirring light that projects a dynamic shadow due to the permeable coral. Frame is available in white, red, gold plated or silver plated. Design Terzani Lab.



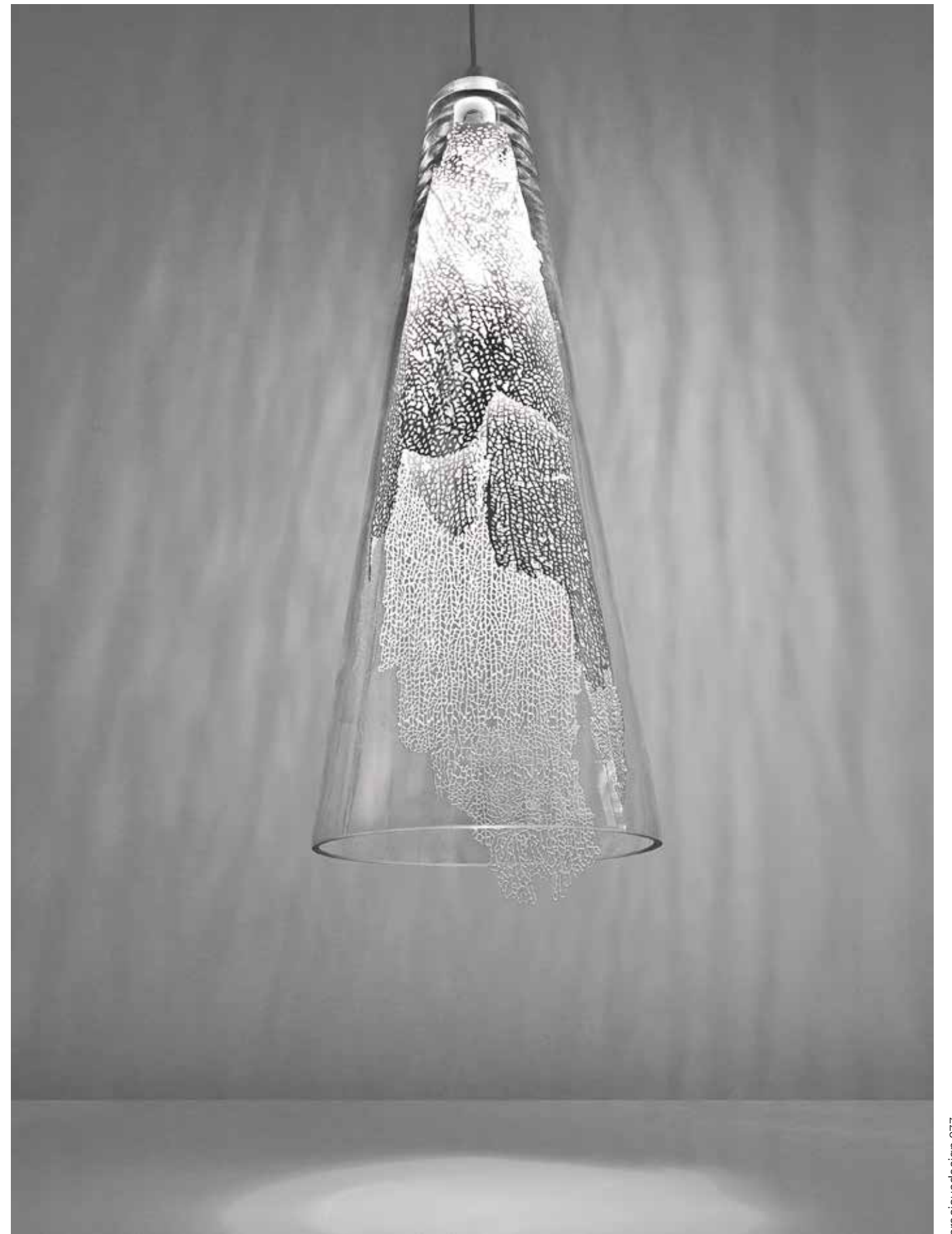


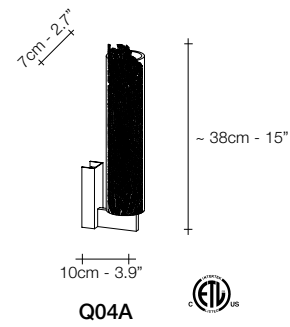
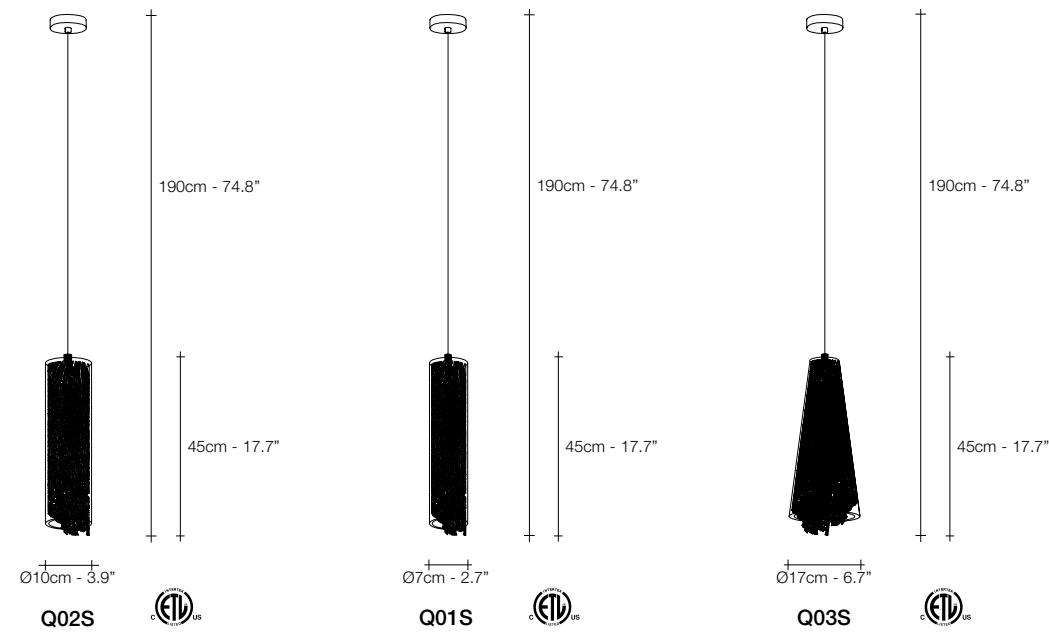






White and clear





RECOMMENDED BULB		Q01S	Q02S	Q03S	RECOMMENDED BULB		Q04A
230V	E14 LED	4W	4W	4W	230V	G9 LED	3,5W
	Dimmable with all systems	-	-	-		Dimmable with all systems	-
120V	E12 LED	4W	4W	4W	120V	G9 LED	4W
	Dimmable with all systems	-	-	-		Dimmable with all systems	-



Calle, Perennial *Elegance.*

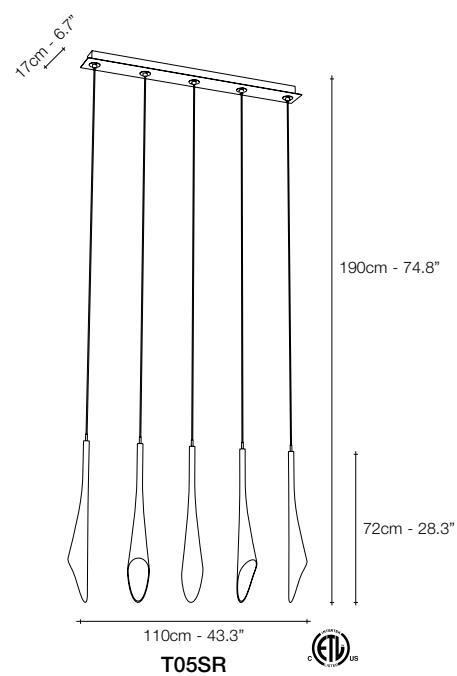
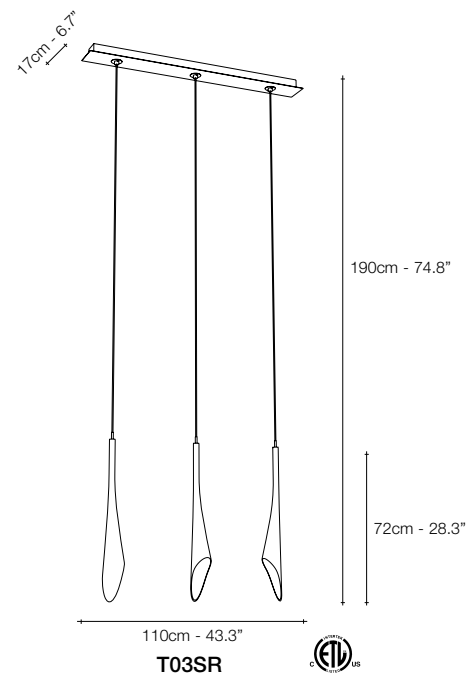
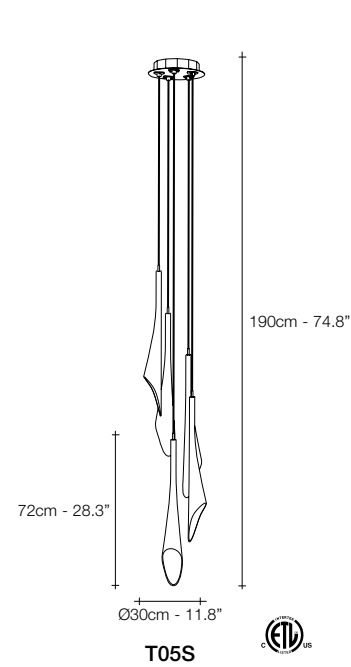
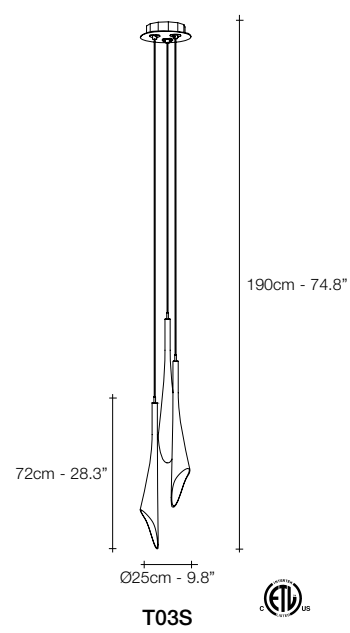
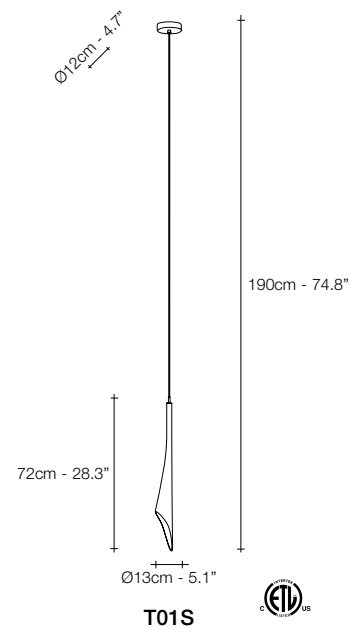
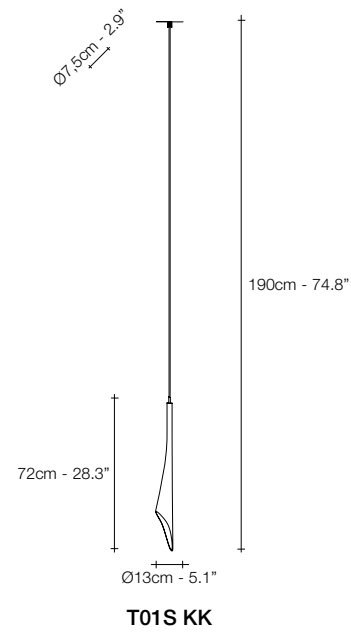
At Terzani, we spend countless days searching the globe for talented new designers, but sometimes they find us. Such is the case with the young designers Luca Martorano and Mattia Albicini who approached us with the design for Calle, a fantastic a new light we instantly fell in love with. It showcases our skill at crafting crystal to take the material to an exciting, modern place. Luca and Mattia worked with our craftsmen to create a slender inverted flute of crystal that, like the calla lily it mimics, can be grouped into stunning bouquets of light. Design Draw.











WHITE
CRYSTAL

	RECOMMENDED BULB	T01S KK	T01S	T01S	T03S	T05S	T03SR	T05SR
230V	G4 LED	2W	2W	3W	3x2W	5x2W	3x2W	5x2W
	G4 HALOGEN	20W	20W	20W	3x20W	5x20W	3x20W	5x20W
	Dimmer	IGBT 0/1-10V 100K Ω PUSH/DALI	IGBT TRIAC DALI	DALI	IGBT DALI	IGBT 1-10V 10V PWM DALI	IGBT DALI	IGBT 1-10V 10V PWM DALI
120V	G4 LED	2W	2W	-	3x2W	5x2W	3x2W	5x2W
	G4 XENON	20W	20W	-	3x20W	5x20W	3x20W	5x20W
	Dimmer	IGBT TRIAC	IGBT TRIAC	-	IGBT TRIAC	IGBT TRIAC	IGBT TRIAC	IGBT TRIAC

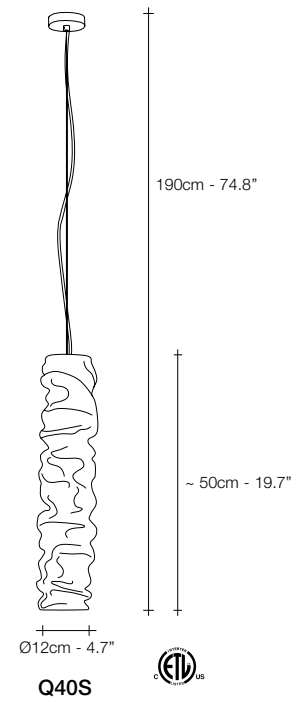
Calle can be manufactured to work with LED light source on request, different dimming options on request



Shar Pei, Lighthearted *Luxury.*

Shar Pei, employs sheaths of “wrinkled” crystal that take their cues from shar pei puppies. The “cute factor” is replaced by a stunning and elegant display created by the projection of light through the undulating crystal. These lights can also be grouped together to create a “pack” of lights. Design Draw.





CLEAR

RECOMMENDED BULB		Q40S
230V	GY6.35 HALOGEN	35W
	GY6.35 LED	3.5W
	Dimmer	IGBT TRIAC DALI
120V	GY6.35 HALOGEN	35W
	GY6.35 LED	3.5W
	Dimmer	IGBT TRIAC

Shar Pei can be manufactured to work with LED light source on request, different dimming options on request

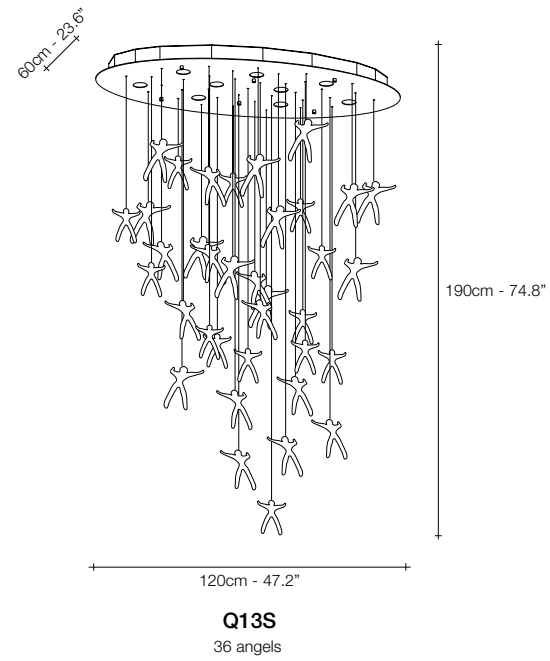
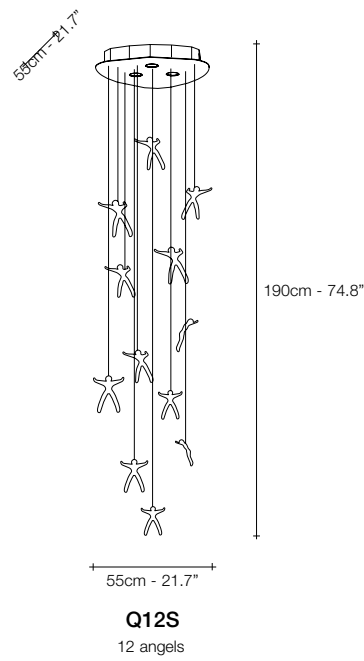
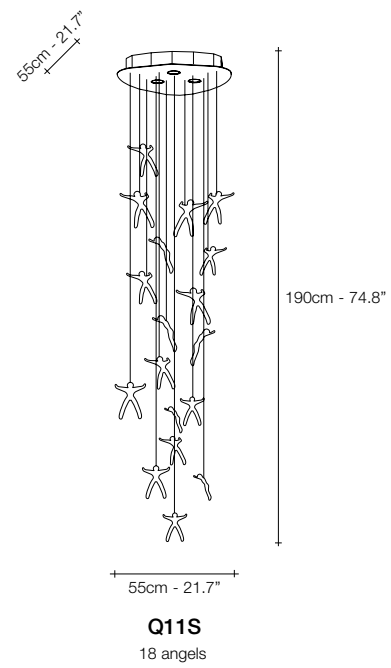
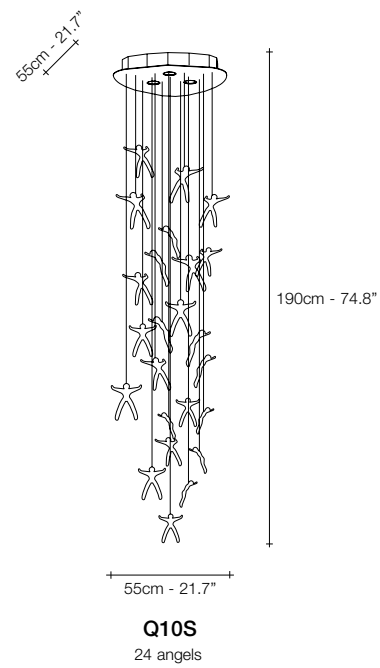
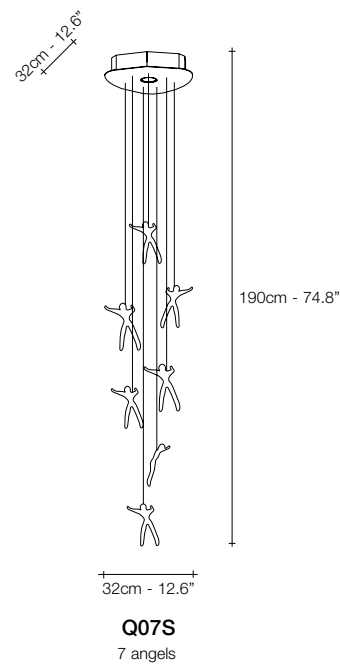


Angel Falls, Cast down *Earth.*

For his first work for Terzani, Nigel Coates, well known for his unorthodox approach to design, has created an engaging, unique light. Customizable groups of crystal “angels” are illuminated by halogen lamps. What caused these angels to fall from the heavens? It’s up to the viewers to decide. Either way, angel falls is sure to garner attention, and generate conversation, in any setting. Design Nigel Coates.







CRYSTAL

RECOMMENDED BULB	Q07S	Q10S	Q11S	Q12S	Q13S
230V GU10 LED	5W	3x5W	3x5W	3x5W	9x4W
Dimmable with all systems	-	-	-	-	-
120V GU10 LED	7W	3x7W	3x7W	3x7W	9x6W
Dimmable with all systems	-	-	-	-	-

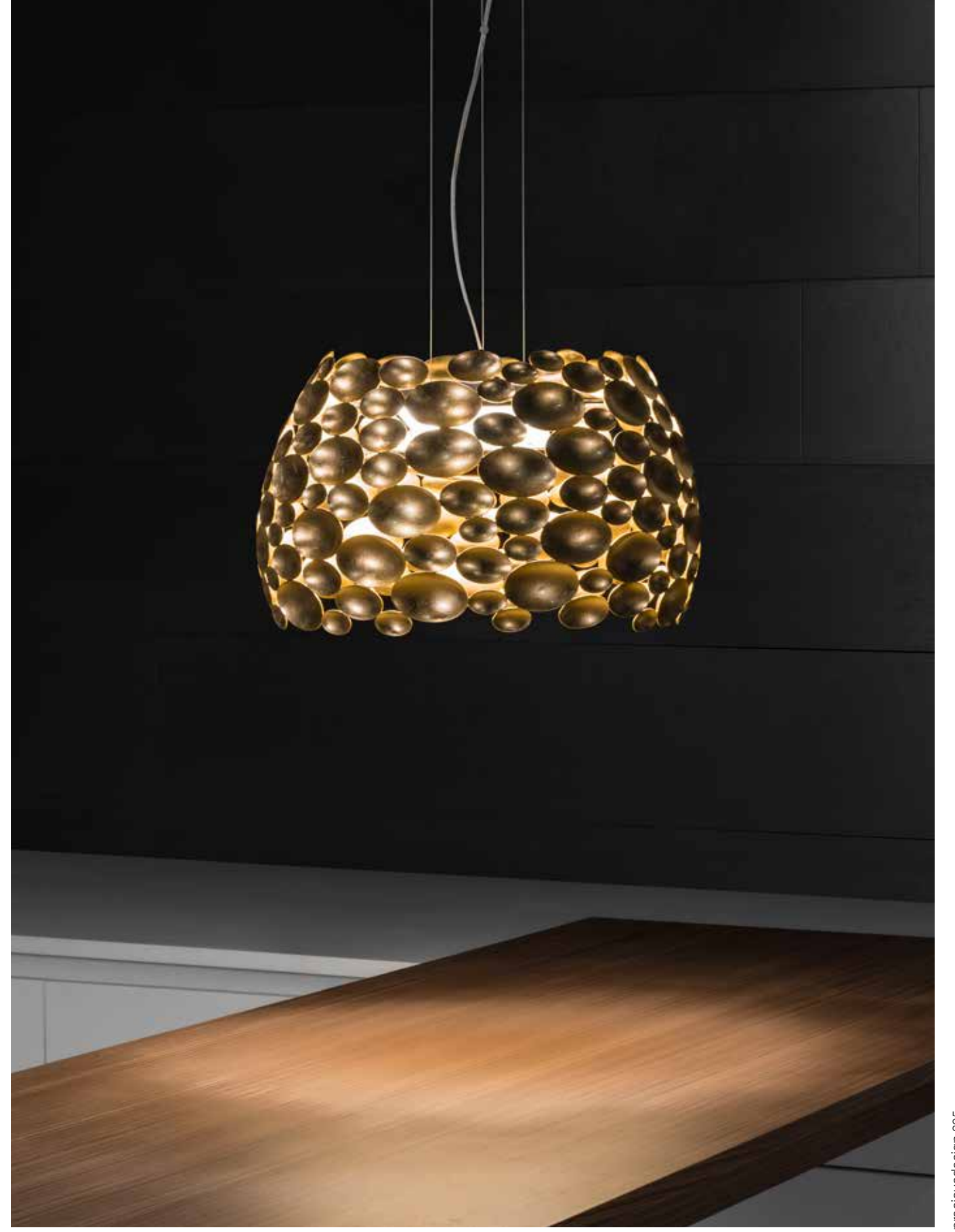
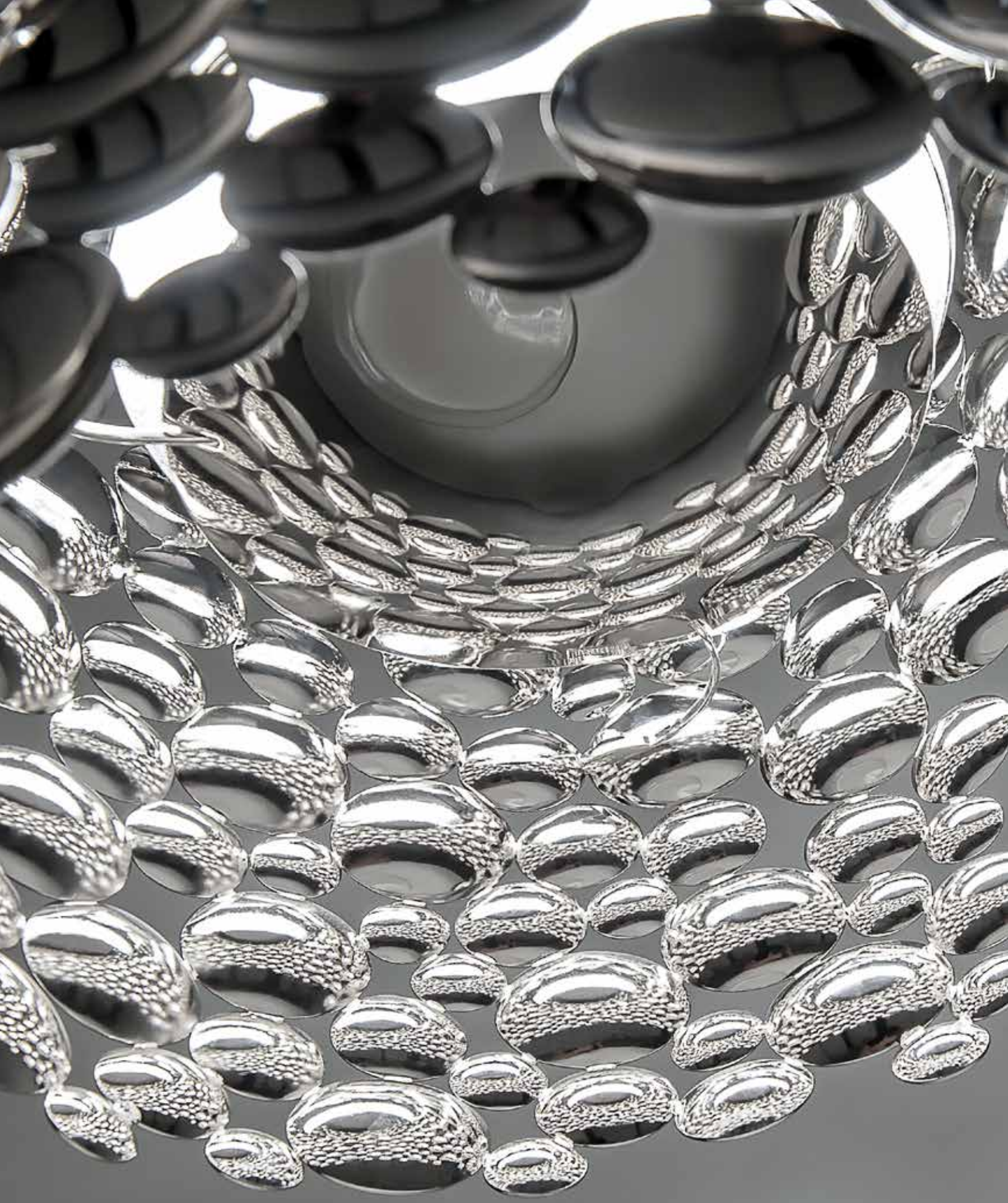


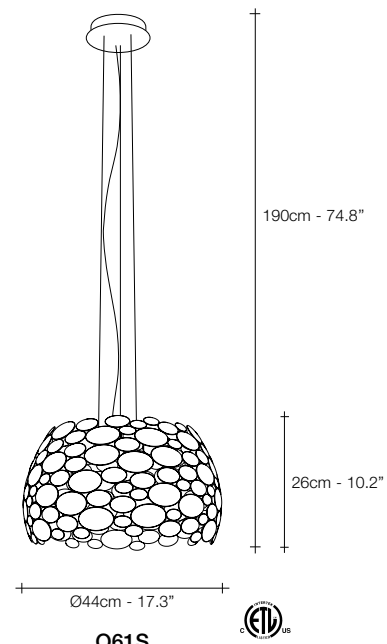
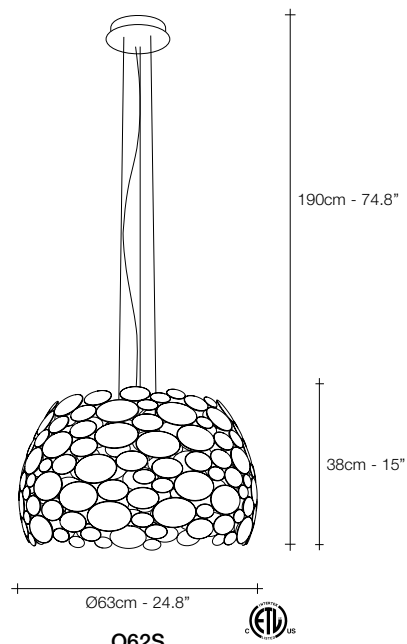
Anish, Playing *Spoons.*

A playful study of reflection, the idea for Anish was born when designer Dodo Arslan, while playing with his daughter, became fascinated by the almost infinite reflections spoons unleashed due to their concave and convex surfaces. Taking this idea to a larger scale, Dodo took inspiration from Italian flatware manufacturer and created a pendant composed of a range of spoons from the smallest teaspoon to serving spoons which magnifies the reflective quality of this shape. The result is an installation that creates a “galaxy” effect of seemingly endless light. Design Dodo Arslan.





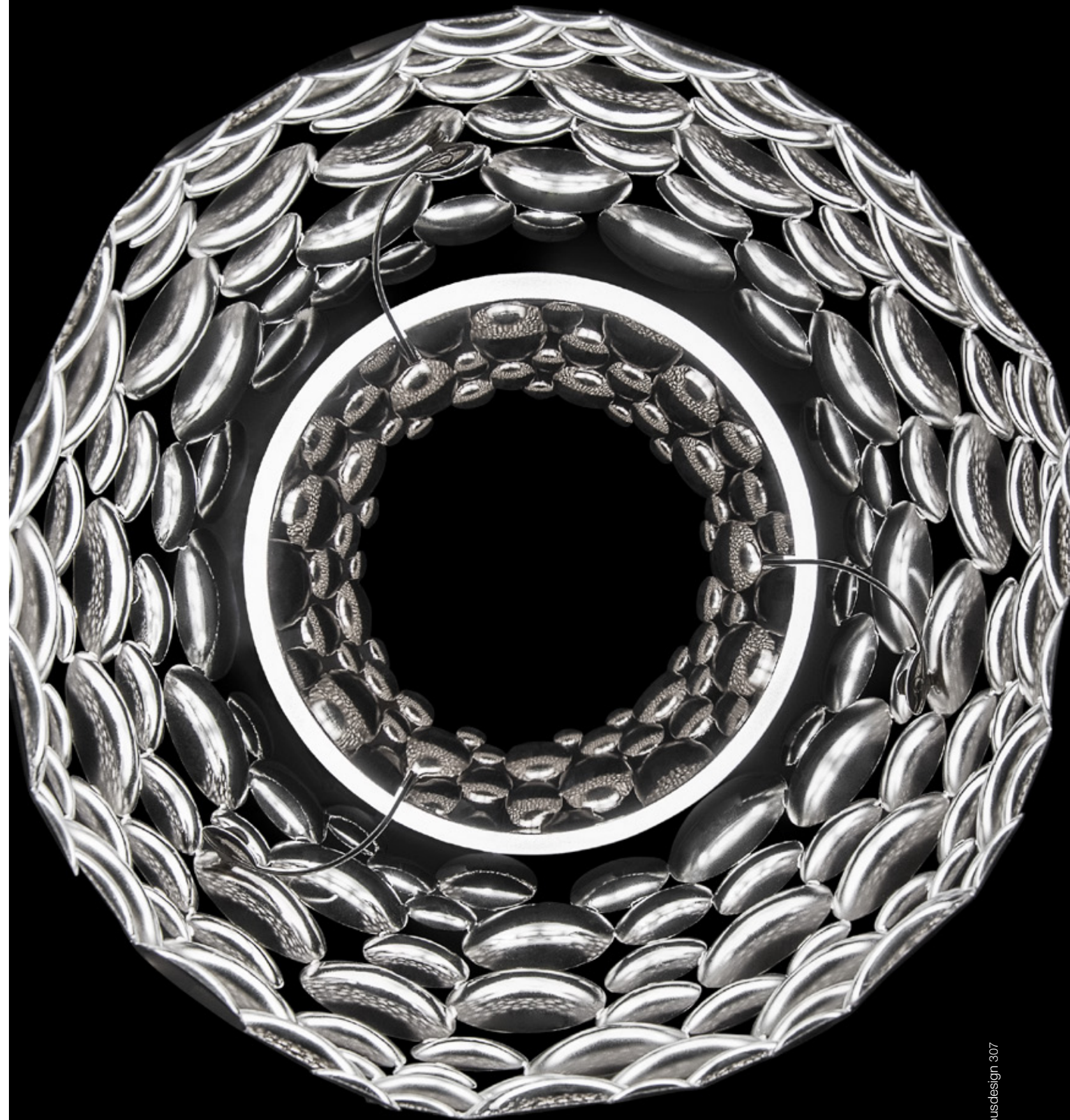




NICKEL

INTEGRATED LED		Q62S	Q61S
230V	LED BOARD	6x4,5W 3180lm	6x4,5W 3180lm
	Dimmer	0/1-10V PWM 10K-100K Ω PUSH/DALI	0/1-10V PWM 10K-100K Ω PUSH/DALI
120V	LED BOARD	6x4,5W 3180lm	6x4,5W 3180lm
	Dimmer	1-10V PWM 10-100 Ω	1-10V PWM 10-100 Ω

Anish can be manufactured to work with integrated LED boards 3000K or 2700K. Different dimming options on request



G.r.a., gyrating Romantic *rings of Light.*

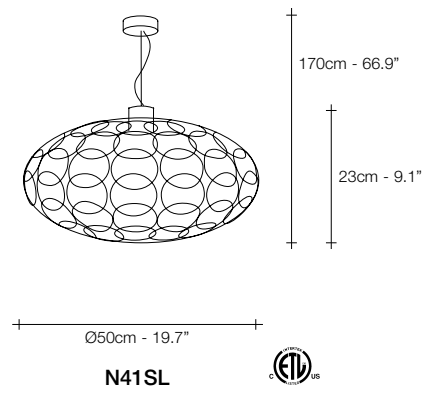
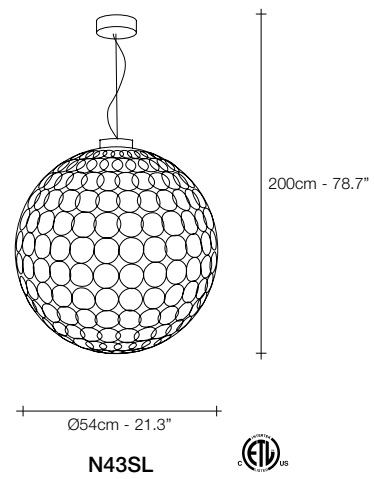
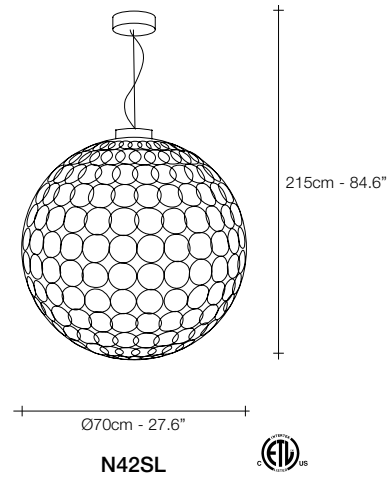
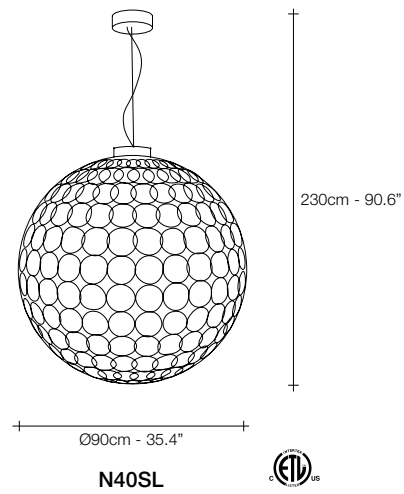
This clean, precise form is the result of hours of labor by our artisans, who meticulously weld each ring together. G.r.a. is a delicate, refined pendant whose intricate shape belies its romantic glow. Available as an oval or a sphere, and finished in nickel or gold, G.r.a. serves as an elegant, unobtrusive complement to any room. Design Bruno Rainaldi.











INTEGRATED LED		N40SL	N41SL	N42SL	N43SL
230V	COB LED CRI 90	18W 1640lm	18W 1640lm	18W 1640lm	18W 1640lm
	Dimmer	1-10V PUSH/DALI	1-10V PUSH/DALI	1-10V PUSH/DALI	1-10V PUSH/DALI
120V	COB LED CRI 90	18W 1640lm	18W 1640lm	18W 1640lm	18W 1640lm
	Dimmer	1-10V PUSH	1-10V PUSH	1-10V PUSH	1-10V PUSH

G.r.a. can be manufactured to work with integrated LED 3000K or 2700K. Different dimming options on request.



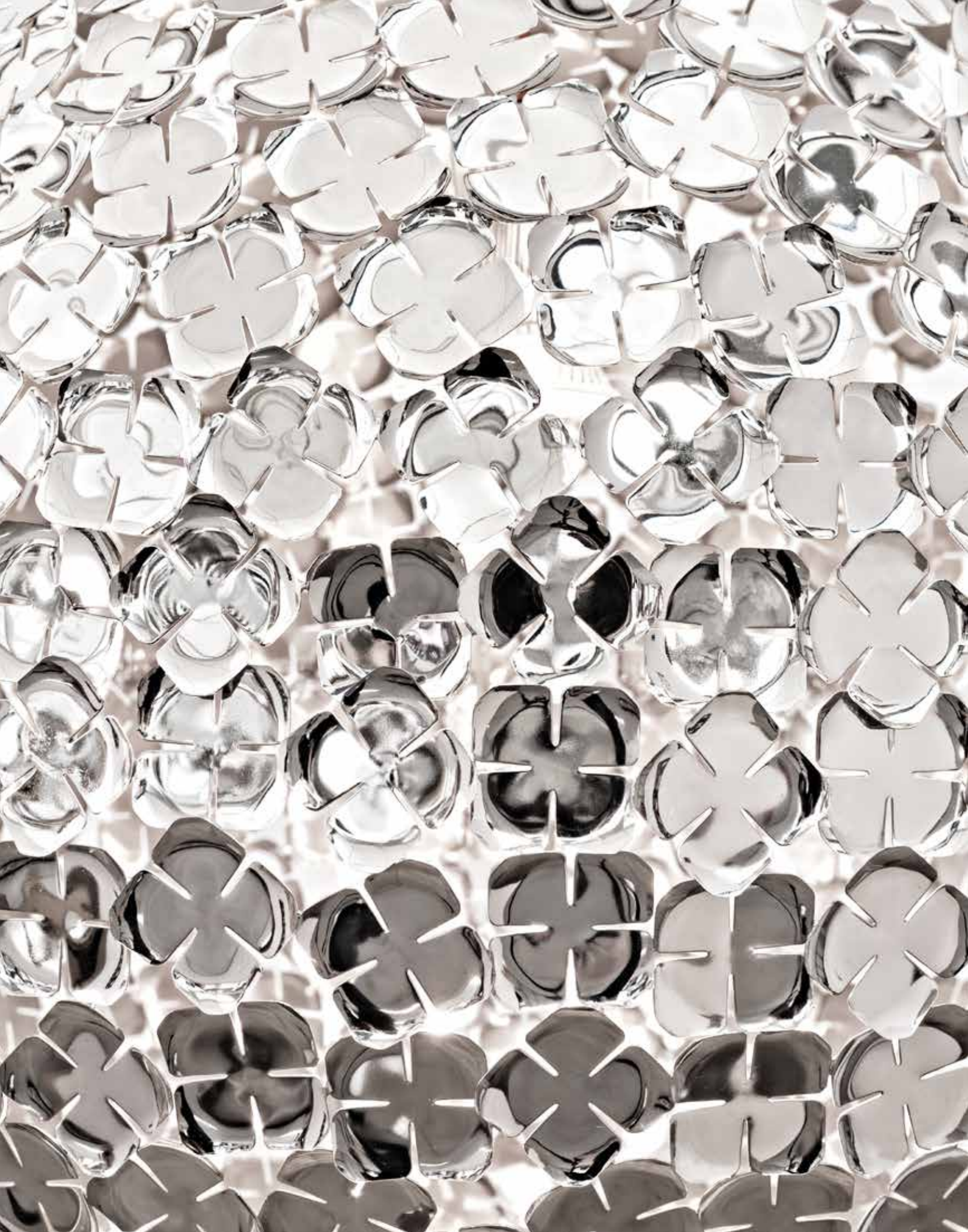
Orten'zia, Petals of *Light.*

Recalling the natural beauty of a flower, Orten'zia hand-soldered "petals" emanate a unique glow, immersing the entire room in a glimmering light. An organic radiance is created through light and shadow, planting a garden within the room. Available in either nickel or gold plated, the orten'zia's elegant form complements its dramatic light. Design Bruno Rainaldi.

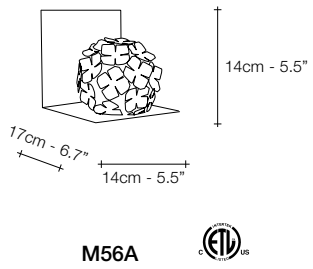
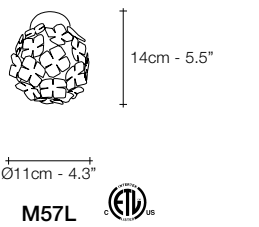
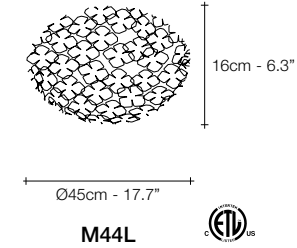
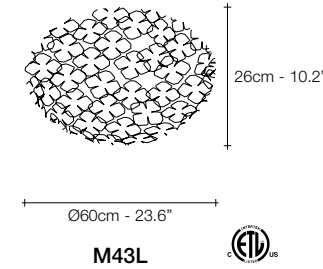
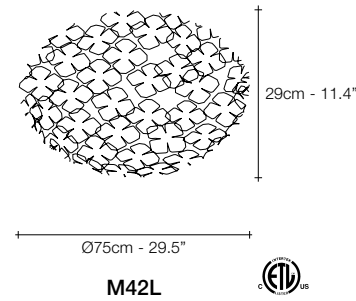
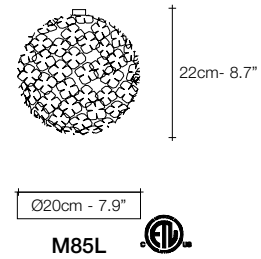
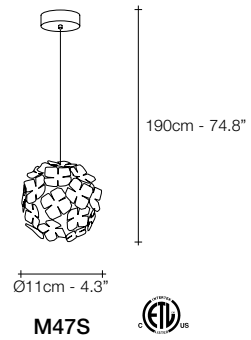
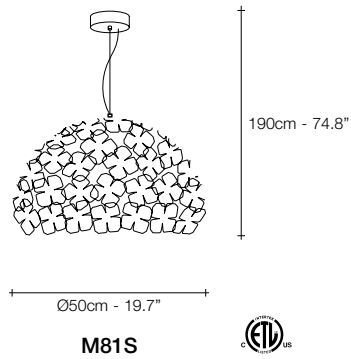
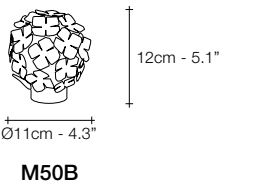
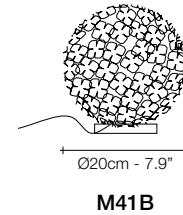
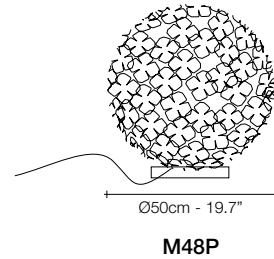
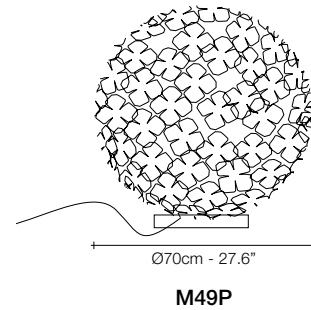
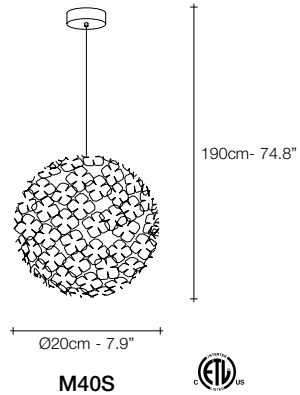
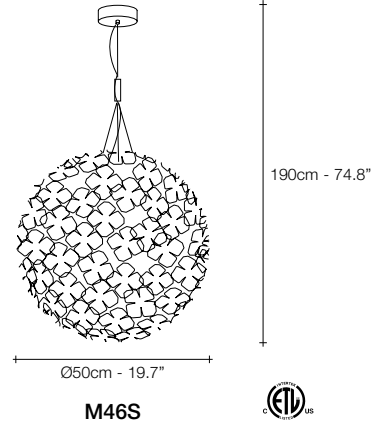
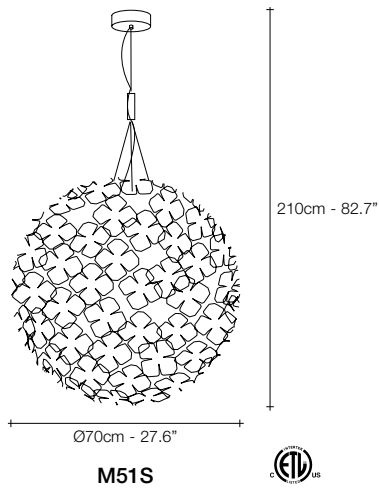












	RECOMMENDED BULB	M40S	M41B	RECOMMENDED BULB	M42L	M43L	M46S	M48P	M49P	M51S	RECOMMENDED BULB	M44L
230V	E14 LED Dimmer	4W	4W	E27 LED Dimmable with all systems	15W	11W	15W	11W	15W	15W	R7s HALOGEN Dimmable with all systems	120W
		all systems integrated			-	-	-	integrated	integrated	-		-
120V	E12 LED Dimmer	4W	4W	E26 LED Dimmable with all systems	15W	11W	15W	11W	15W	15W	R7s HALOGEN Dimmable with all systems	150W
		all systems integrated			-	-	-	integrated	integrated	-		-

	INTEGRATED LED	M50B	RECOMMENDED BULB	M47S	M56A	M57L	M85L	RECOMMENDED BULB	M81S
230V	LED 3000K Dimmer	0,3W 15lm	G9 LED Dimmable with all systems	3,5W	3,5W	3,5W	4W	E27 LED globe Dimmable with all systems	15W
		no		-	-	-	-		-
120V	LED 3000K Dimmer	0,3W 15lm	G9 LED Dimmable with all systems	4W	4W	4W	5W	E26 LED globe Dimmable with all systems	8W
		no		-	-	-	-		-

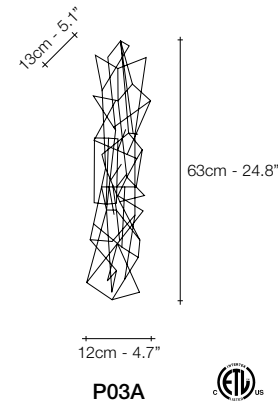
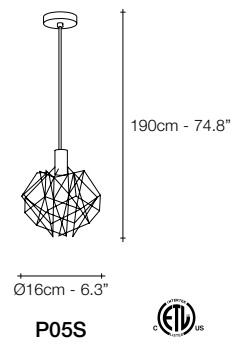
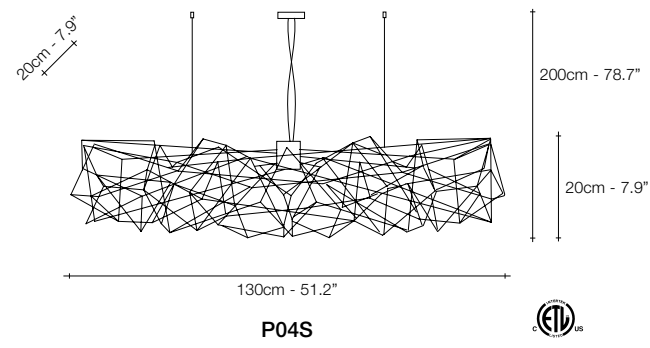
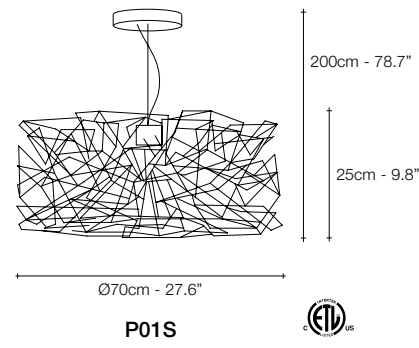
Etoile, Twinkling in an *indoor Sky.*

Etoile's intricate network of intersecting nickel lines recalls constellations in a clear night sky. Strategically placed bulbs cast a starry light, twinkling as viewers move around the pendant. Through projecting these complex patterns throughout the room, Etoile casts a heavenly glow in any space. Design Christian Lava.



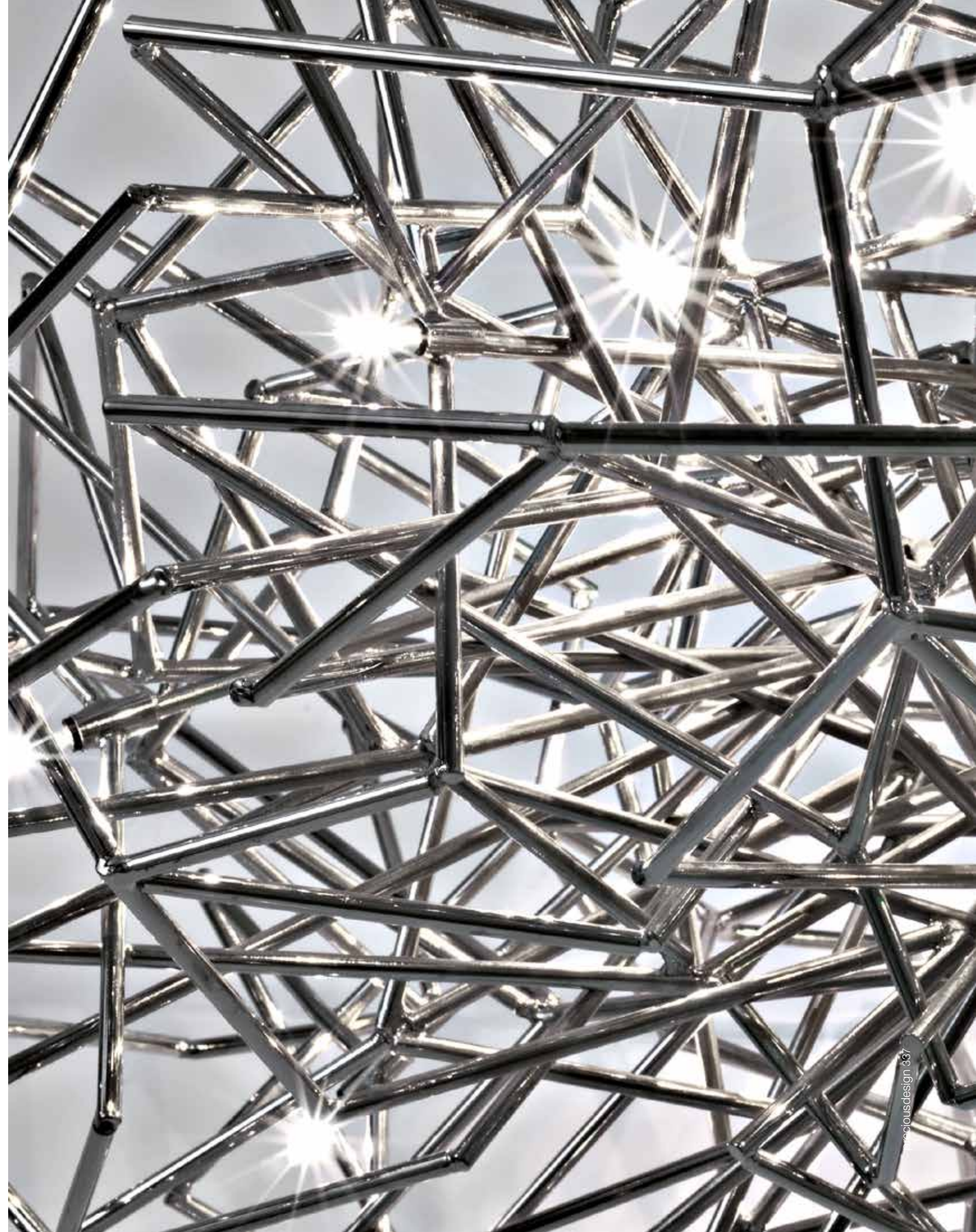






	RECOMMENDED BULB	P01S	P01S	P03A	P04S	P05S	P05S
230V	G4 HALOGEN	8x10W	16x1,2W	6x10W	8x20W	2W	3W
	G4 LED	8x20W		6x2W	8x2W	20W	10W
	Dimmer	IGBT TRIAC	0/1-10V 10V PWM 100K Ω PUSH/DALI	IGBT	IGBT TRIAC 0/1-10V 100K Ω PUSH/DALI	IGBT TRIAC	DALI
120V	G4 XENON	8x10W	-	6x10W	8x20W	20W	-
	G4 LED	8x20W	-	6x2W	8x2W	2W	-
	Dimmer	IGBT	-	IGBT TRIAC	IGBT TRIAC	IGBT TRIAC	-

Etoile can be manufactured to work with LED light source on request, different dimming options on request

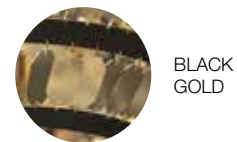
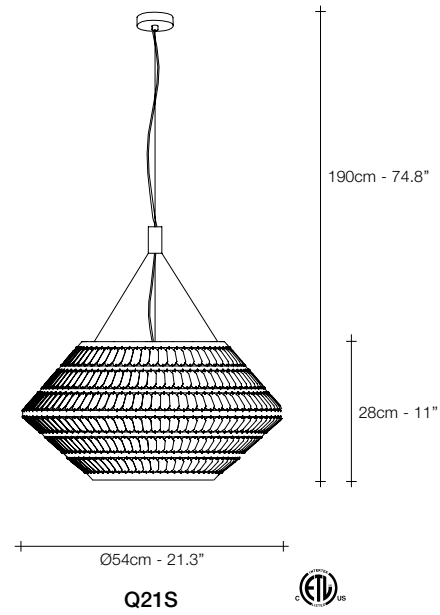
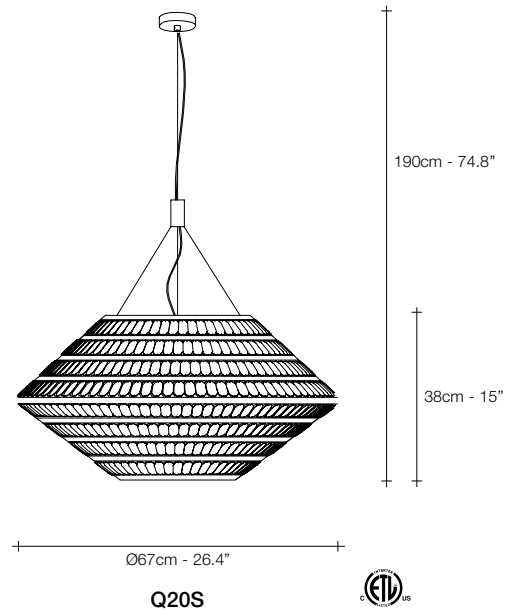


Kika, Get *Dressed Up.*

The glamour and allure of the Golden Age of Hollywood drove the inspiration for Terzani's newest pendant, Kika. Incorporating modern technology with new materials, designer Franziska Hinze created a contemporary fixture reflecting this exciting period in cinema. Balancing proportions was also part of the inspiration behind Kika's shape. The light is made of hundreds of photo-etched metal pendants, attached meticulously by hand to metal rings. The final result is similar to that of a fine jewel, floating in the air, and shining in every direction. To enhance the contrast of light, Terzani offers Kika in different color and size variations. Kika is a unique piece that adds vibrancy with a shimmering, suspended light. Design Franziska Hinze.







RECOMMENDED BULB		Q20S	Q21S
230V	E27 LED globe	15W	15W
	Dimmable with all systems	-	-
120V	E26 LED globe	10W	10W
	Dimmable with all systems	-	-

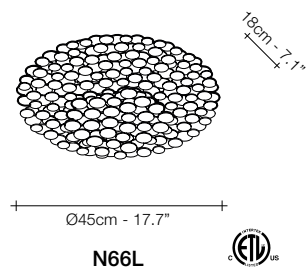
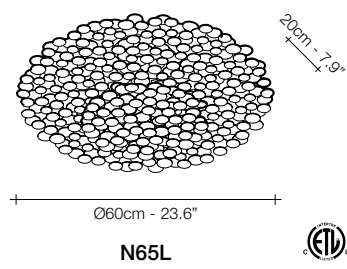
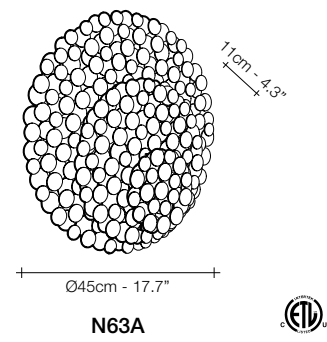
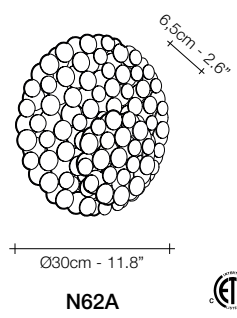
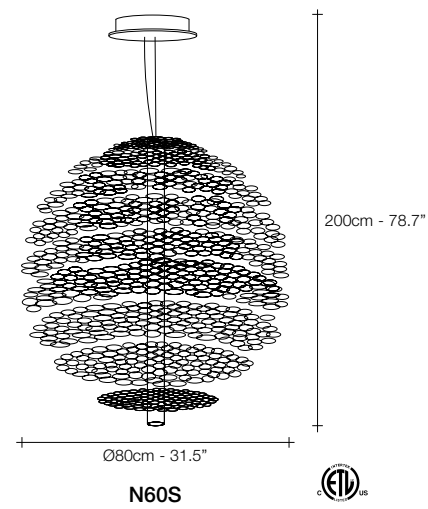


Tresor, a Wealth *of Light.*

An impeccable addition to any space, Tresor's hand-made design and precious metal "coins" create scintillating halos of light. Recalling discovered treasure, the layers of gold or silver leaf create a rich, luxurious light. Available in a range of sizes, including wall sconces and pendants, Tresor has an elegance that is truly priceless. Design Jean François Crochet.







GOLD LEAF



SILVER LEAF

	RECOMMENDED BULB	N60S	N62A	N63A	N65L	N66L
230V	G9 LED	9x3,5W	4W	2x4W	6x3,5W	6x3,5W
	Dimmable with all systems	-	-	-	-	-
120V	G9 LED	9x4W	5W	2x5W	6x4W	6x4W
	Dimmable with all systems	-	-	-	-	-



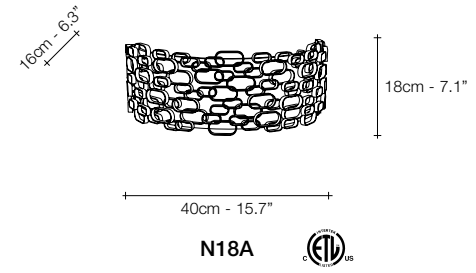
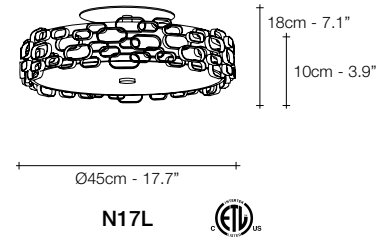
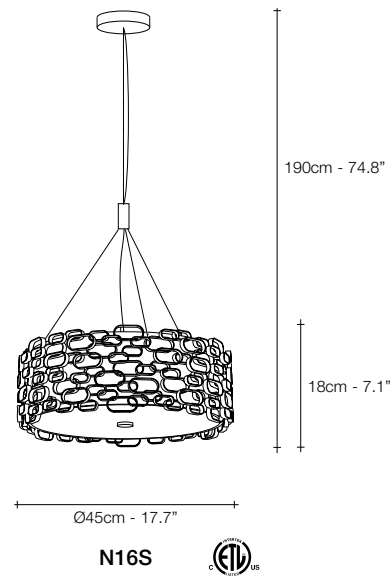
Glamour, Modern *Seduction.*

Glamour's randomly interspersed rings imbue this design with a seductiveness rarely applied to geometric shapes. Whether finished in gold, nickel or white, the diffused light emanating behind Glamour's rings bathes the surrounding area in a soft, sensuous glow. Available as a wall sconce, table lamp or pendant, glamour can provide subtle accents or act as the focal point of a room. Design Dodo Arslan.









WHITE



NICKEL



GOLD

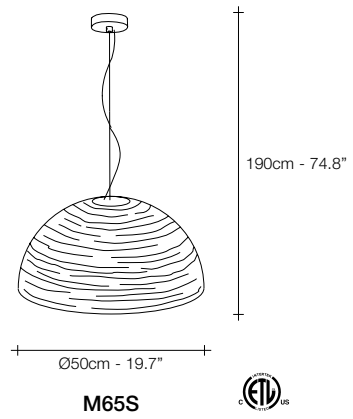
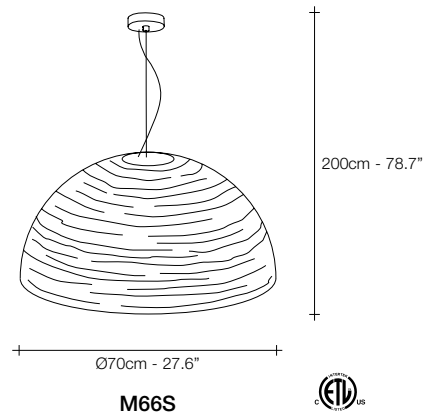
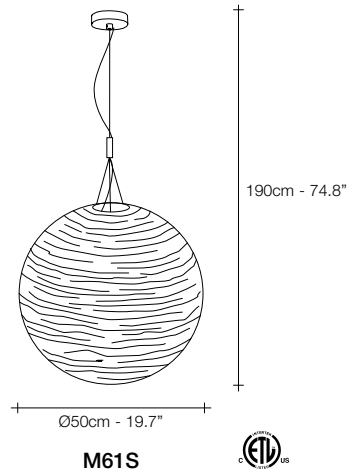
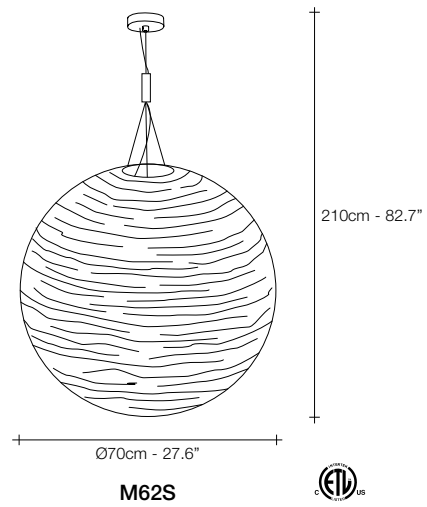
	RECOMMENDED BULB	N16S	N17L	RECOMMENDED BULB	N18A
230V	E14 LED	3x4W	3x4W	230V R7s HALOGEN LED	48W 13W 1100lm
	Dimmable with all systems	-	-	Dimmable with all systems	IGBT
120V	E12 LED	3x4W	3x4W	120V R7s HALOGEN	70W
	Dimmable with all systems	-	-	Dimmable with all systems	-



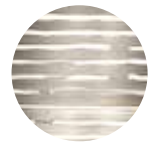
Magdalena, Cutting edge *Beauty.*

Reaching inside traditional forms, Magdalena's laser-cut, horizontal openings allow for its light to expand its range to the entire room. Creating an alluring pattern of light and shadow, Magdalena highlights the shape of the room itself. This unique exchange creates a pendant that impacts every space, regardless of size. Design Bruno Rainaldi.





WHITE



NICKEL



GOLD LEAF

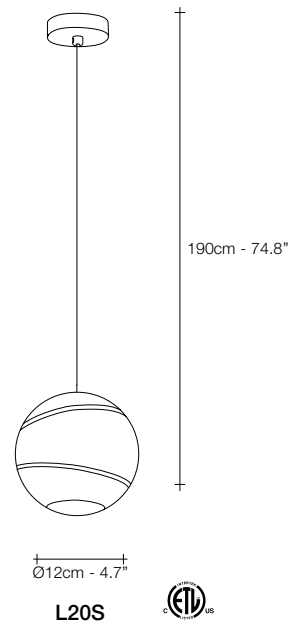
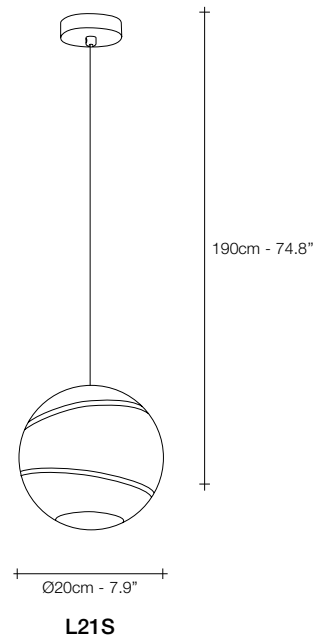
RECOMMENDED BULB		M61S	M62S	RECOMMENDED BULB		M65S	M66S
230V	E27 LED globe	15W	15W	230V	E27 LED globe	15W	15W
	Dimmable with all systems	-	-		Dimmable with all systems	-	-
120V	E26 LED globe	15W	15W	120V	E26 LED globe	15W	15W
	Dimmable with all systems	-	-		Dimmable with all systems	-	-



Bond, brands of *Racing Light.*

Bond's bands of light expose a deceptively luxurious interior. Under the glass exterior, lays a core of gold leaf that creates a deep, complex radiance. The overall glow is intensified by incisions that emit focused, dramatic lines of light. Extremely versatile, Bond is available in three sizes; as either a pendant or a table/floor light; and with a black or white exterior. Whether alone or grouped together, Bond's light creates a dynamic atmosphere. Design Bruno Rainaldi.



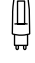


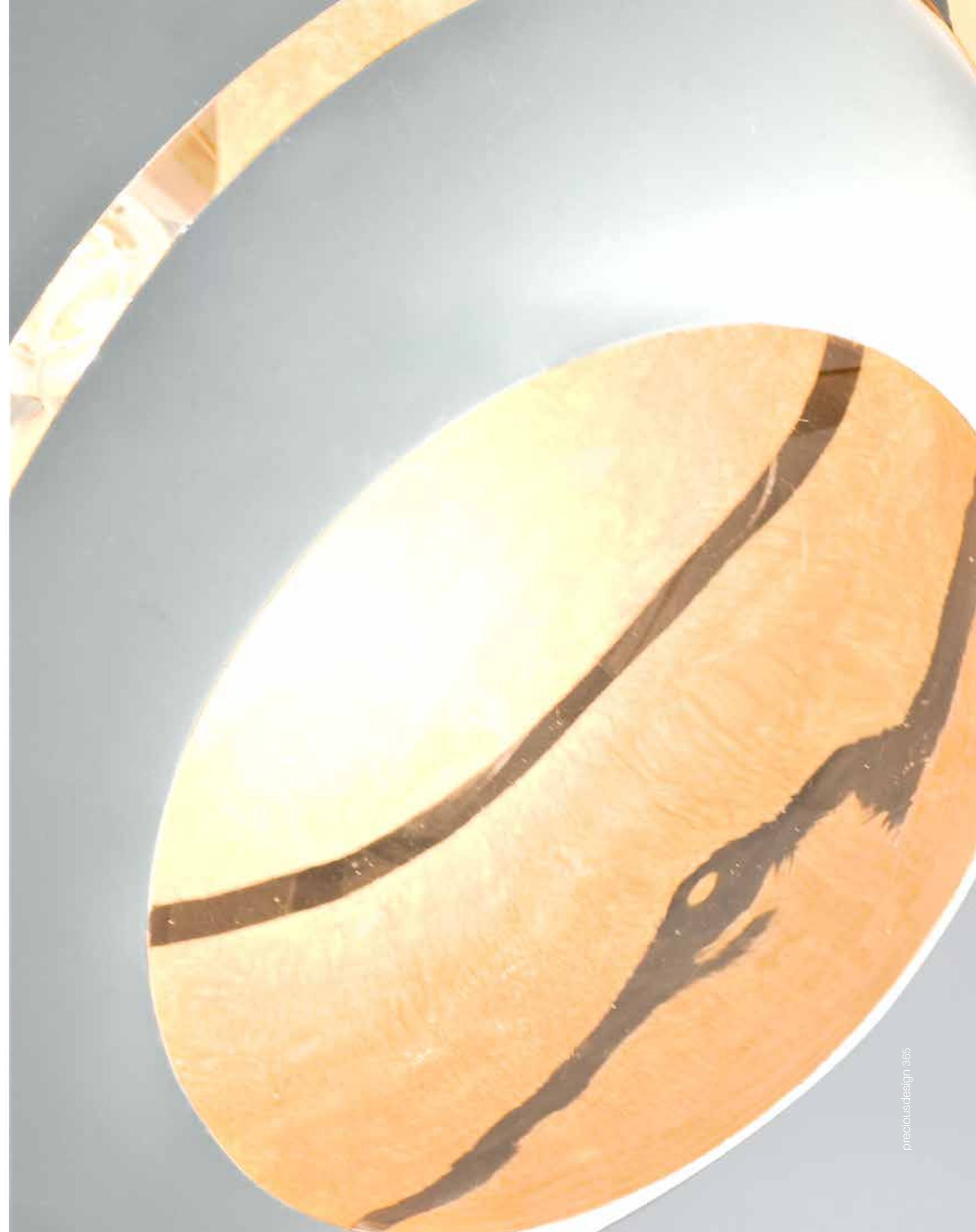


CLEAR GLASS
WHITE WITH
GOLD LEAF



CLEAR GLASS
BLACK WITH
GOLD LEAF

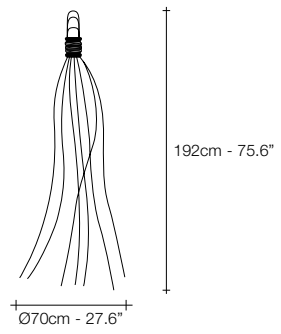
	RECOMMENDED BULB	L20S	RECOMMENDED BULB	L21S
230V	 G9 LED	3,5W	 E14 LED	5W
	Dimmable with all systems	-	Dimmable with all systems	-
120V	 G9 LED	4W	-	-
	Dimmable with all systems	-	-	-



Hugo, a Welcome *Guest.*

Some designs are strong enough to stand alone. These are the pieces that transform spaces and inspire viewers. Hugo, a unique sculpture created by Terzani's master craftsmen, is composed of hand-forged metal stems, encasing a single light. With a graceful, delicate form, Hugo is a welcome guest in any space, intriguing and powerful. Design Jean François Crochet.





D20P



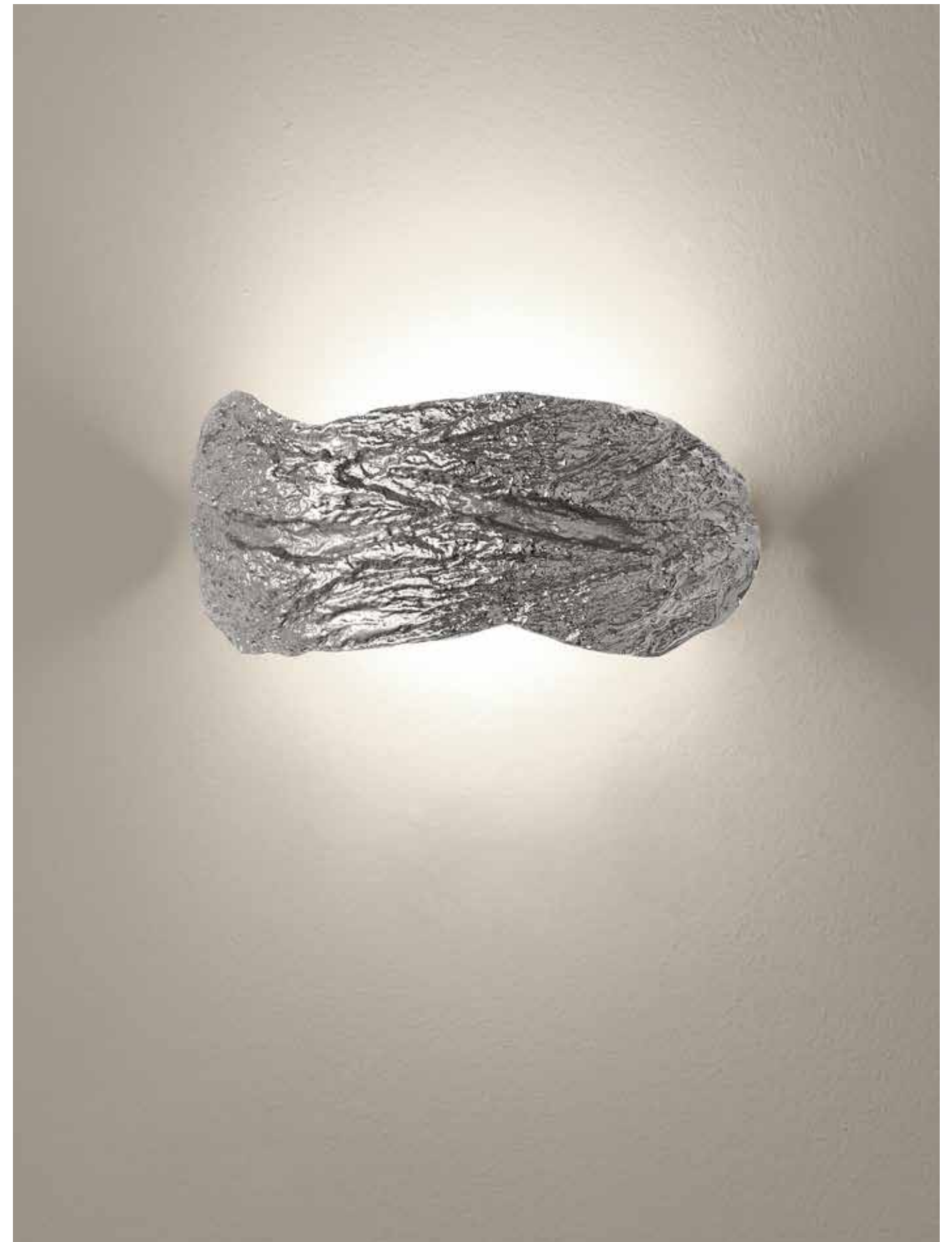
SATIN NICKEL

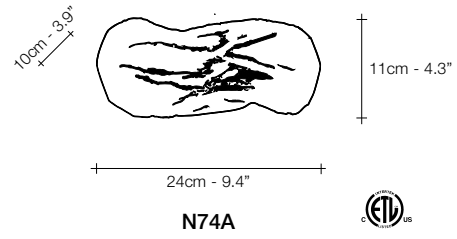
RECOMMENDED BULB		D20P
230V	E27 LED	15W
	Integrated dimmer	-
120V	E26 LED	15W
	Integrated dimmer	-



Wabi, Understated *Elegance.*

Influenced by the rustic simplicity of the mulberry tree, Nicolas Terzani set out to create a piece that delivered the same quiet, harmonious elegance. Thus, wabi, available in white, gold-plated or silver-plated finish, which recalls the serenity and balance of its natural inspiration. The texture of wabi harnesses the anomalies of a cortex, resulting in a unique and classic light. Design Nicolas Terzani.





NICKEL



GOLD

RECOMMENDED BULB		N74A
230V	R7s HALOGEN	48W
	Dimmable with all systems	-
120V	R7s HALOGEN	70W
	Dimmable with all systems	-

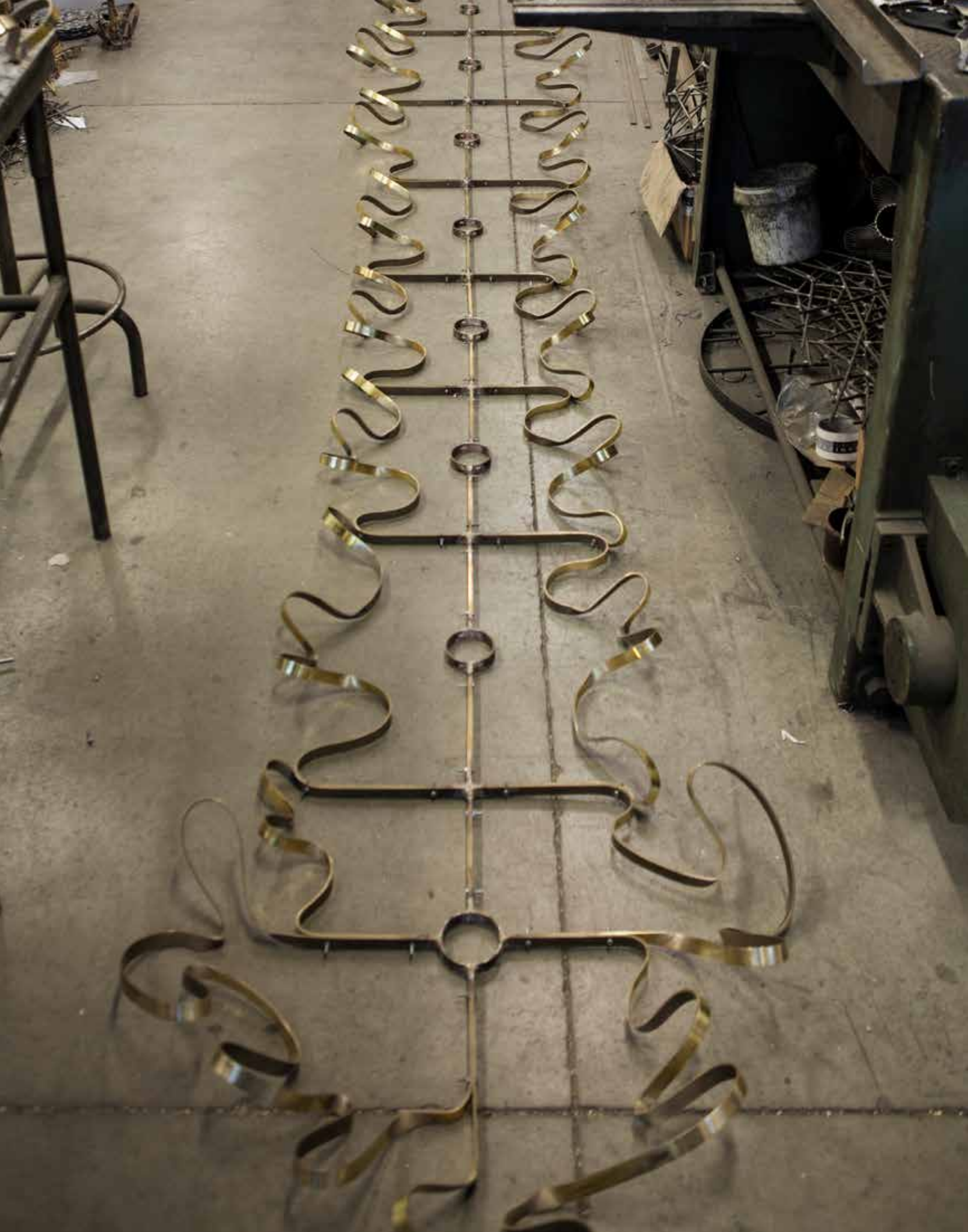


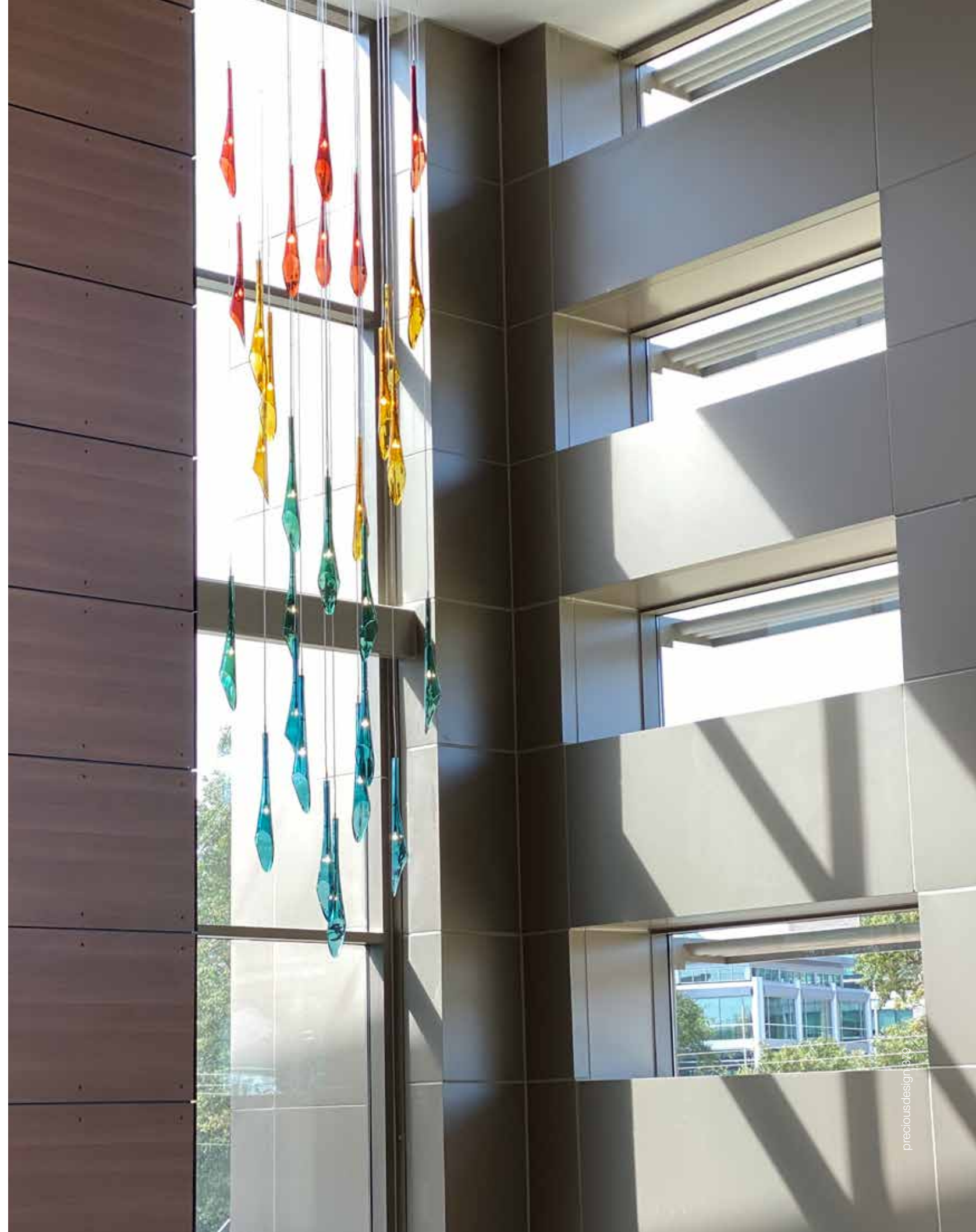


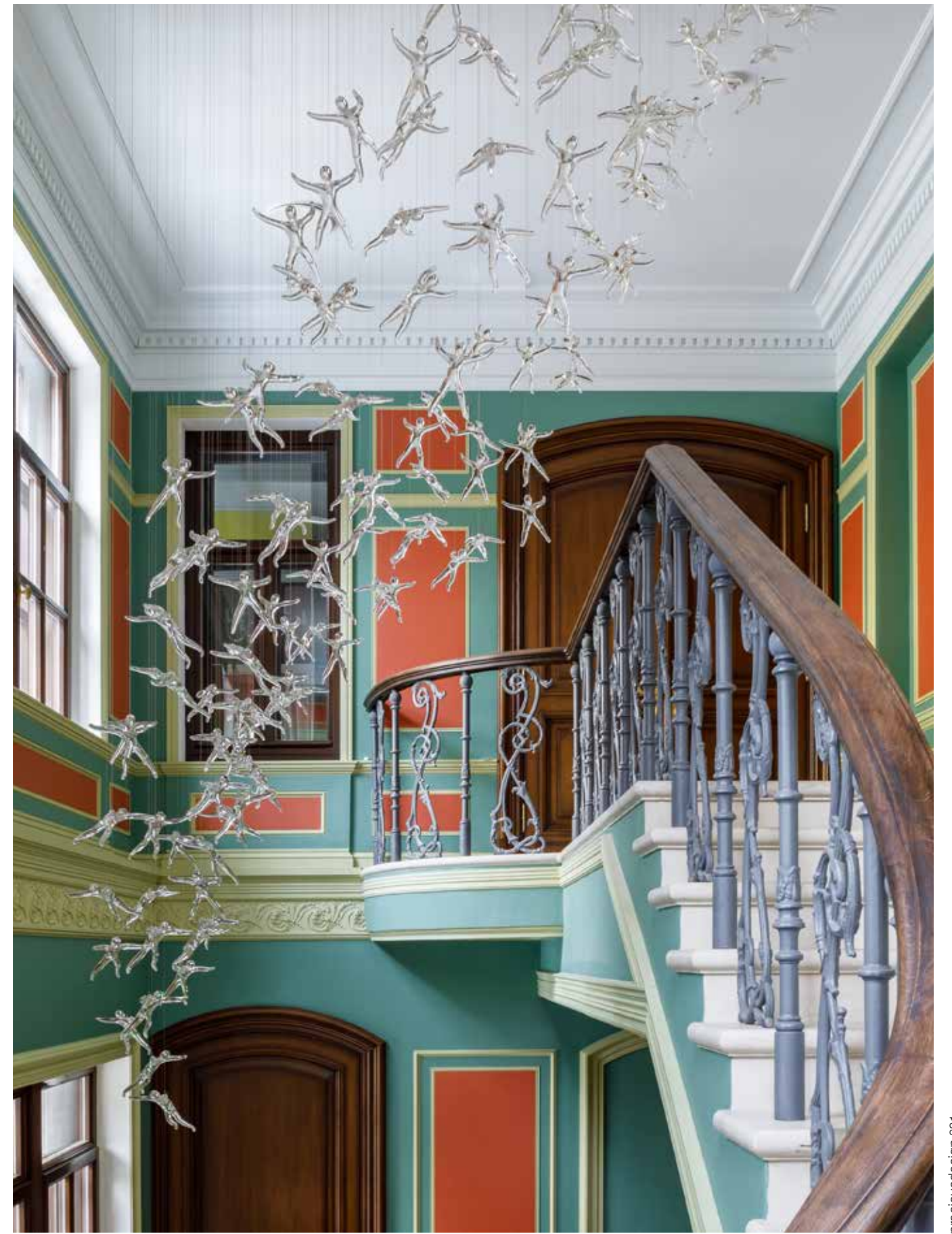
Be- spoke

Work with Terzani design team to bring to life your idea. From simple modification to more complex design changes.









TERZANI
LA LUCE PENSATA

All products in the Terzani collections are inspired by a return to noble artisan traditions. Every object is carefully created using craft techniques and for this reason certain details may vary from product to product. These variations are not imperfections but characteristic peculiarities of the production process. Terzani reserves the right to modify its products in order to improve its features.

Product reproduction on paper may result in a misrepresentation of some colors. For updated technical data please refer to our current price list or our website. For updates on etl  please visit our website or call our customer service. For  certification please refer to our current price list or our website. For information about Patent & Design Registration please visit: www.terzani.com/patents

Terzani srl

Via Castelpulci Int.9
50018 Scandicci Firenze Italy
Office +39 055 722021
info@terzani.com

Terzani Usa, Inc.

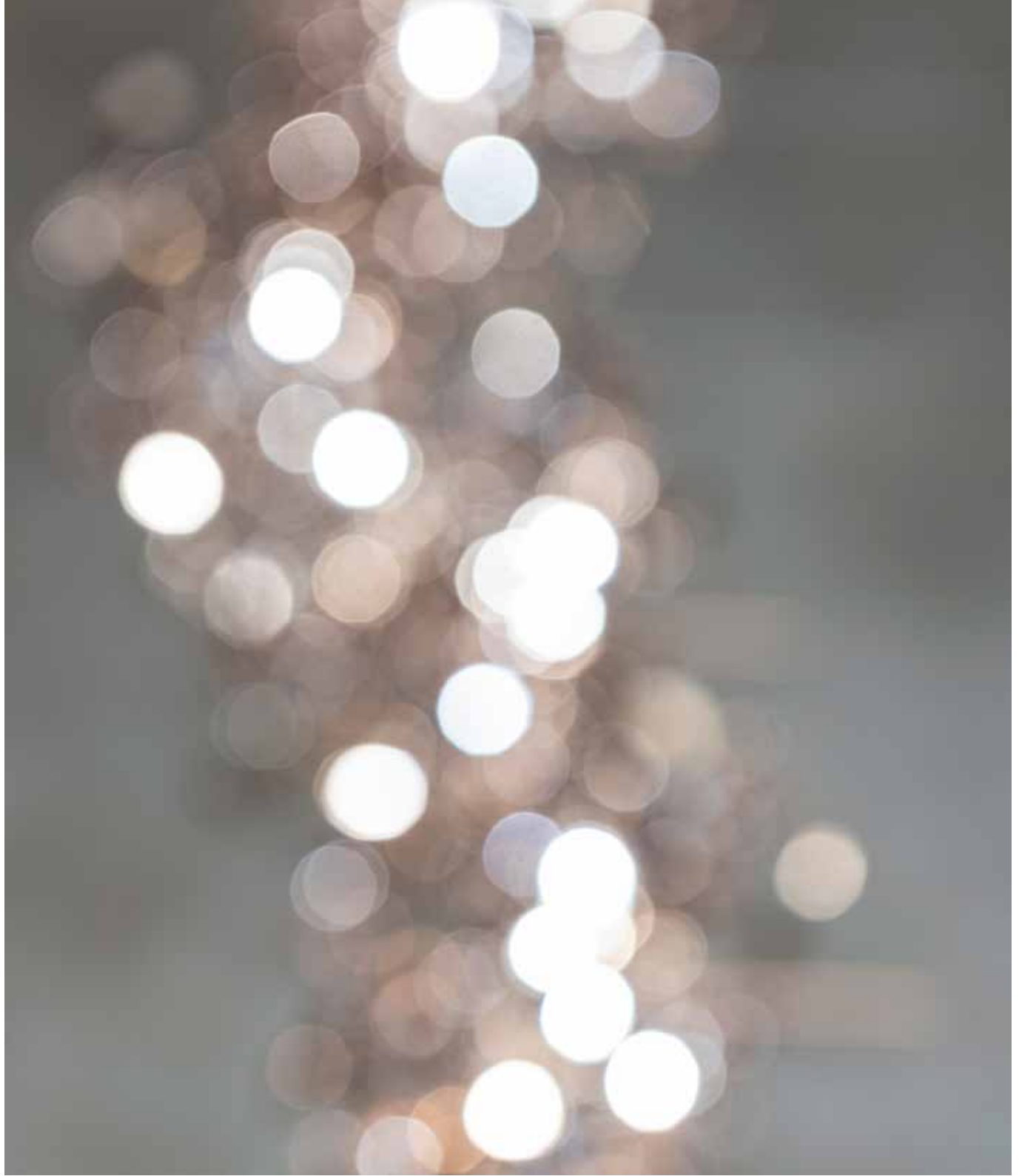
2501 SW 56th Ave
Pembroke Park FL 33023
Office 954 438 7779
Toll free 1 866 380 5412
info@terzaniusa.com

Creative Direction Terzani
Art Direction Camilla Cordella
Photos Leonardo Beglieri
Digital imaging Fulvio Gallotti
Eu (Italy) 2021

terzani.com

© terzani 2021





TERZANI
LA LUCE PENSATA

terzani.com